



Photo Yepp Player SERVICE MANUAL

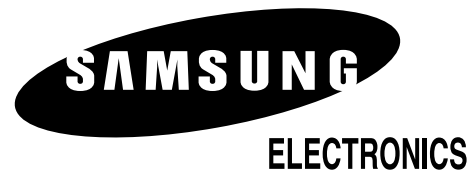
YVP-P64



Photo Yepp Player

YVP-P64

SERVICE Manual



© Samsung Electronics Co.,Ltd. Aug. 2000
Printed in Korea
AD68-00079W

DIGITAL CAMERA



CONTENTS

1. General Information
2. Product Specifications
3. Disassembly and Reassembly
4. Exploded View and Parts List
5. Electrical Parts List
6. PCB Diagrams
7. Wiring Diagram
8. Schematic Diagrams

1. General Information

1-1. Product Overview

Demands for MP3 players have risen sharply with the rapid increase of Internet users and full-scale developments of MOD (Music on demand) businesses. A visual function has been added to the MP3 player that can simultaneously support digital Audio+Image+Text, a world's first portable product of this kind, making it possible for some fresh enjoyment and supply of information.

1-1-1 What is MP3/VMP3?

MP3 (MPEG1 LAYER3) is a digitally compressed music file. VMP3 is a smil format file. While listening to MP3 files, users can enjoy words and the image files as music plays along.

1-1-2 Product Features

It is user-friendly, easy to use, by adopting a consistent way in using the memory card.

Portable Visual MP3 Player

2" TFT-LCD adopted, stop image and words display

Voice Recorder Option

Extensionable Smart Media Card/high-speed USB Interface

1-1-3 Operation Principle

1) MP3/Voice file playback

- MAIN CPU(SA-1100) brings the desired files from the smart media card and sends to MP3 DECODER(MAS3507D).
- MP3 DECODER(MAS3507D) unzips the compressed MPEG data and sends to D/A CONVERTER(DAC3550A) with the format of digital data.
- D/A CONVERTER(DAC3550A) changes digital audio into analog audio to filter, amplify and send to the output terminal.
- In the output terminal, couple and output to an earphone terminal.

2) Image file playback

- MAIN CPU(SA-1100) brings the desired files from the smart media card and performs soft decoding.
- Send the digital data R, G, B to D/A converter(CXD2304R).
- Convert into analog data R, G, B in D/A converter(CXD2304R) and send to VIDEO PROCESS IC(RB5P0020M).
- Send the analog data R, G, B from VIDEO PROCESS IC(RB5P0020M) to LCD pannel and display it.

3) VMP3 file playback

- MP3 is played back by No. 1 and image and text are played back by No.2.

4) Voice Record

- Convert to digital data in A/D converter(TLV1544) and transfer the files to MP3 DECODER(MAS3507D).
- Compress into ADPCM in MP3 DECODER(MAS3507D) and transfer the files to MAIN CPU(SA-1100).
- Save the data in the designated directory of smart media card.

5) Data communication through PC and USB

- Send the data recorded in PC to USB DRIVE IC(PDIUSB12) through the USB cable.
- Save data transferred to MAIN CPU(SA-1100) from USB DRIVE IC(PDIUSB12) via buffer in a smart media card.

- Refer to user's manual how to install software (file manager, smil editor, music manager).

2. Product Specifications

System	Specifications (SVP-P64)												
Processor	133Mhz												
Memory Capacity	Extra (smart media card 64MB/3.3V)												
LCD	2.0 inch TFT LCD (280 x 220 : Abt. 60 thousand pixels)												
Battery	Li-Ion battery (for exclusive use for Photo Yepp Player)												
File Transmission Speed	Max 2Mbps												
Voice Record	H/W ADPCM												
S/N	90dB												
Earphone Output Level	5mW												
Distortion	Max 0.05%												
Response Frequency (Ref = 1kHz)	<table border="1"> <tbody> <tr> <td>100Hz</td> <td>0 ± 3dB</td> <td>10KHz</td> <td>0 ± 3dB</td> </tr> <tr> <td>3KHz</td> <td>0 ± 3dB</td> <td>15KHz</td> <td>0 ± 3dB</td> </tr> <tr> <td>5KHz</td> <td>0 ± 3dB</td> <td>20KHz</td> <td>0 ± 3dB</td> </tr> </tbody> </table>	100Hz	0 ± 3dB	10KHz	0 ± 3dB	3KHz	0 ± 3dB	15KHz	0 ± 3dB	5KHz	0 ± 3dB	20KHz	0 ± 3dB
100Hz	0 ± 3dB	10KHz	0 ± 3dB										
3KHz	0 ± 3dB	15KHz	0 ± 3dB										
5KHz	0 ± 3dB	20KHz	0 ± 3dB										
PC Configuration	HDD Capacity : More than 30MB												
	CPU : More than Pentium 133MHz (with USB)												
	Support O/S : Microsoft Windows® 98/2000												
	Basic Memory : More than 32MB												
	CD-ROM Drive(Photo Yepp Software)												
PC Interface	USB Interface (Max 2Mbps)												
Power Requirement	110V/220V (Free Voltage)												
Power Consumption	1.1W												
Dimensions	97.9 x 20.2 x 64 mm (Length x Height x Width)												
Net Weight	110g (not including battery pack)												
Operating Temp/Humidity	0 ~ 40 °C (32 ~ 104 °F) / Max 80%												

⚠ The technical specifications and design may be changed without notice.

MEMO

3. Disassembly and Reassembly

3-1. CASE Removal (1)

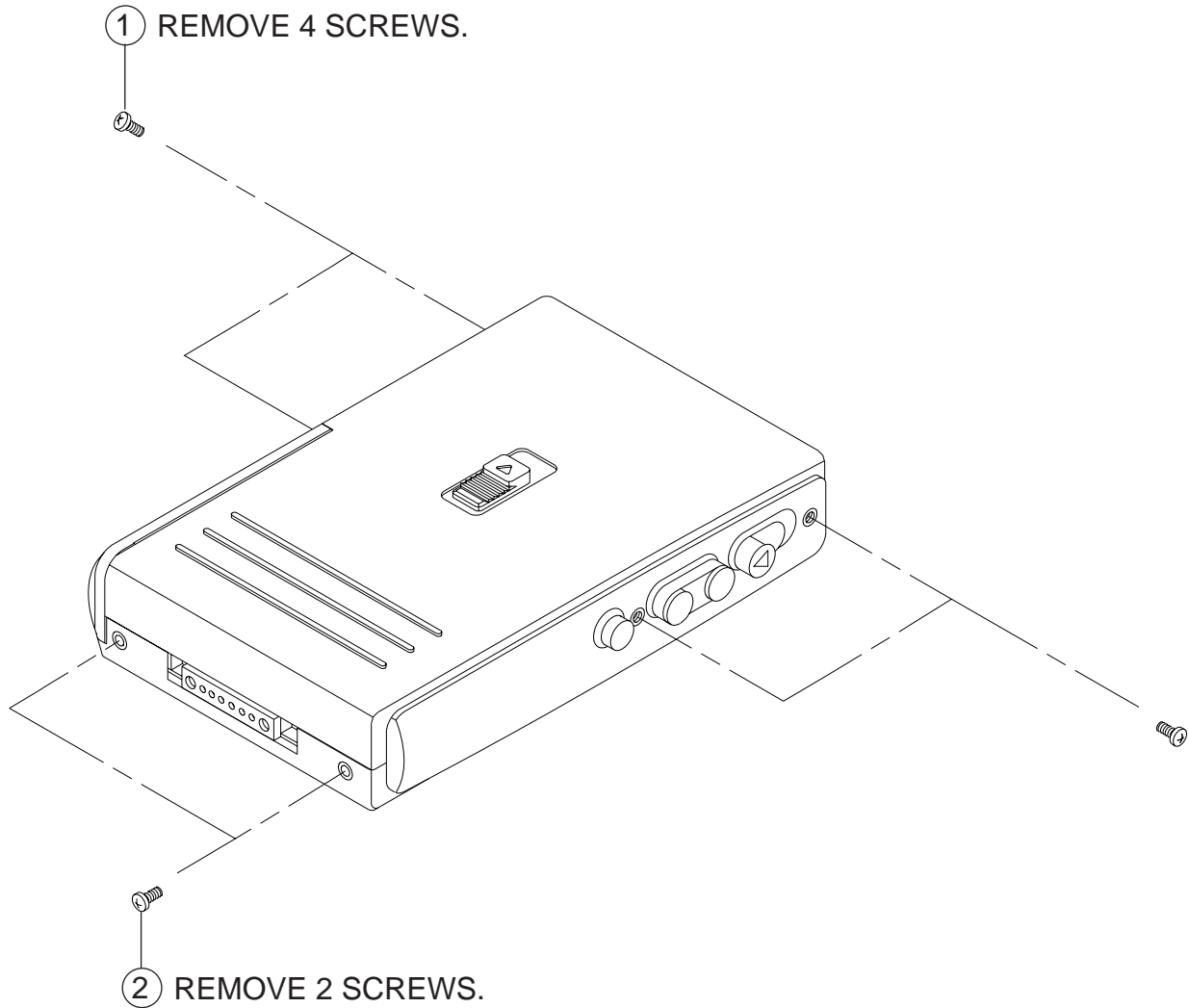


Fig. 3-1 CASE Removal (1)

3-2. CASE Removal (2)

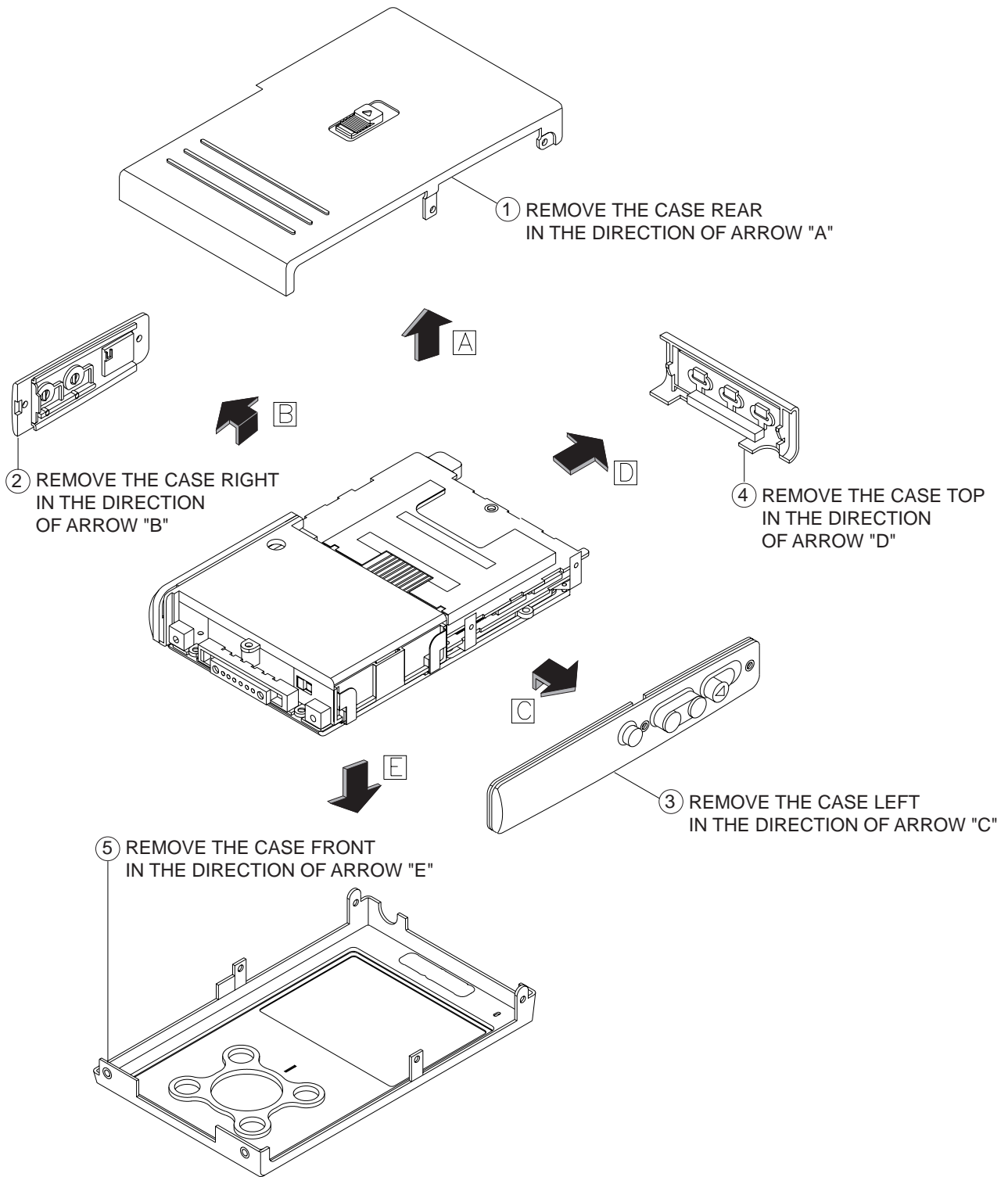


Fig. 3-2 CASE Removal (2)

3-3. CASE-REAR Removal

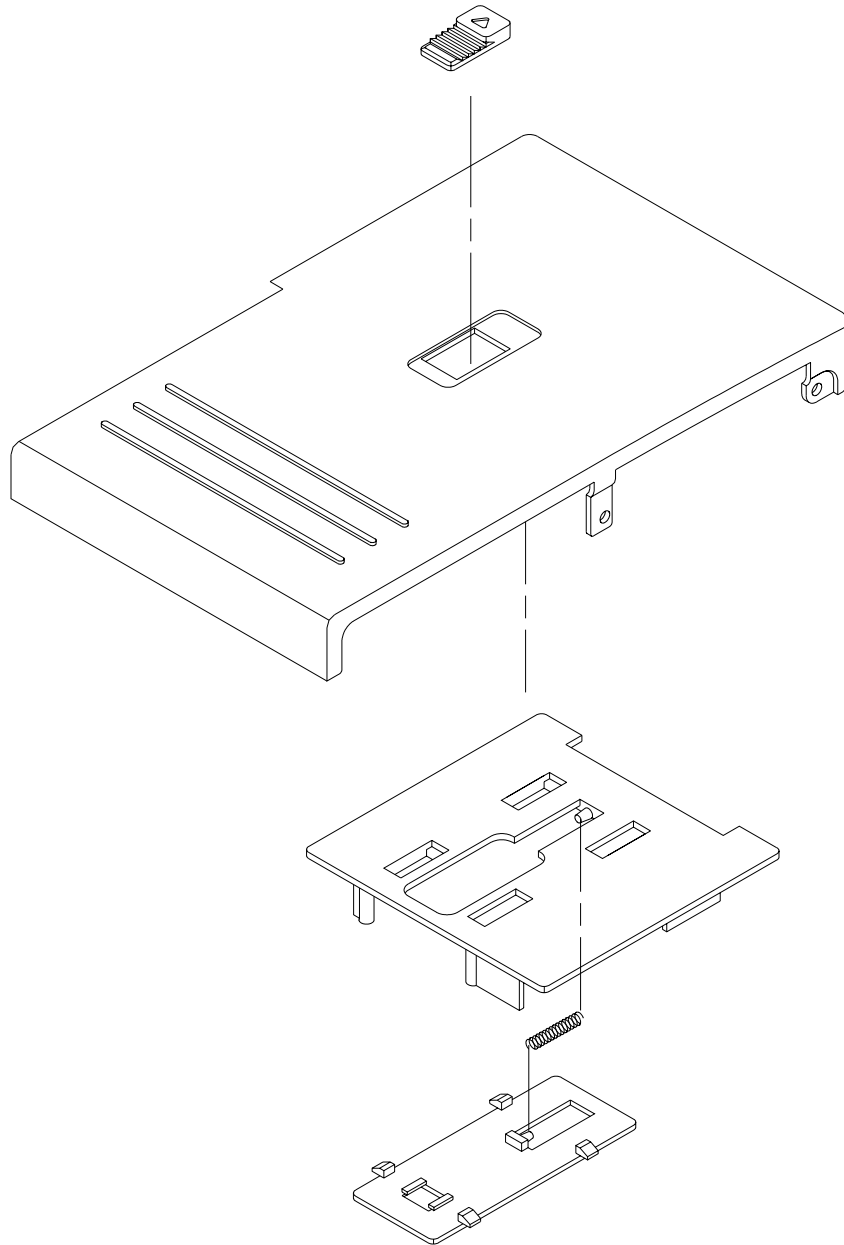


Fig. 3-3 CASE-REAR Removal

3-4. Ass'y-DC/DC Removal

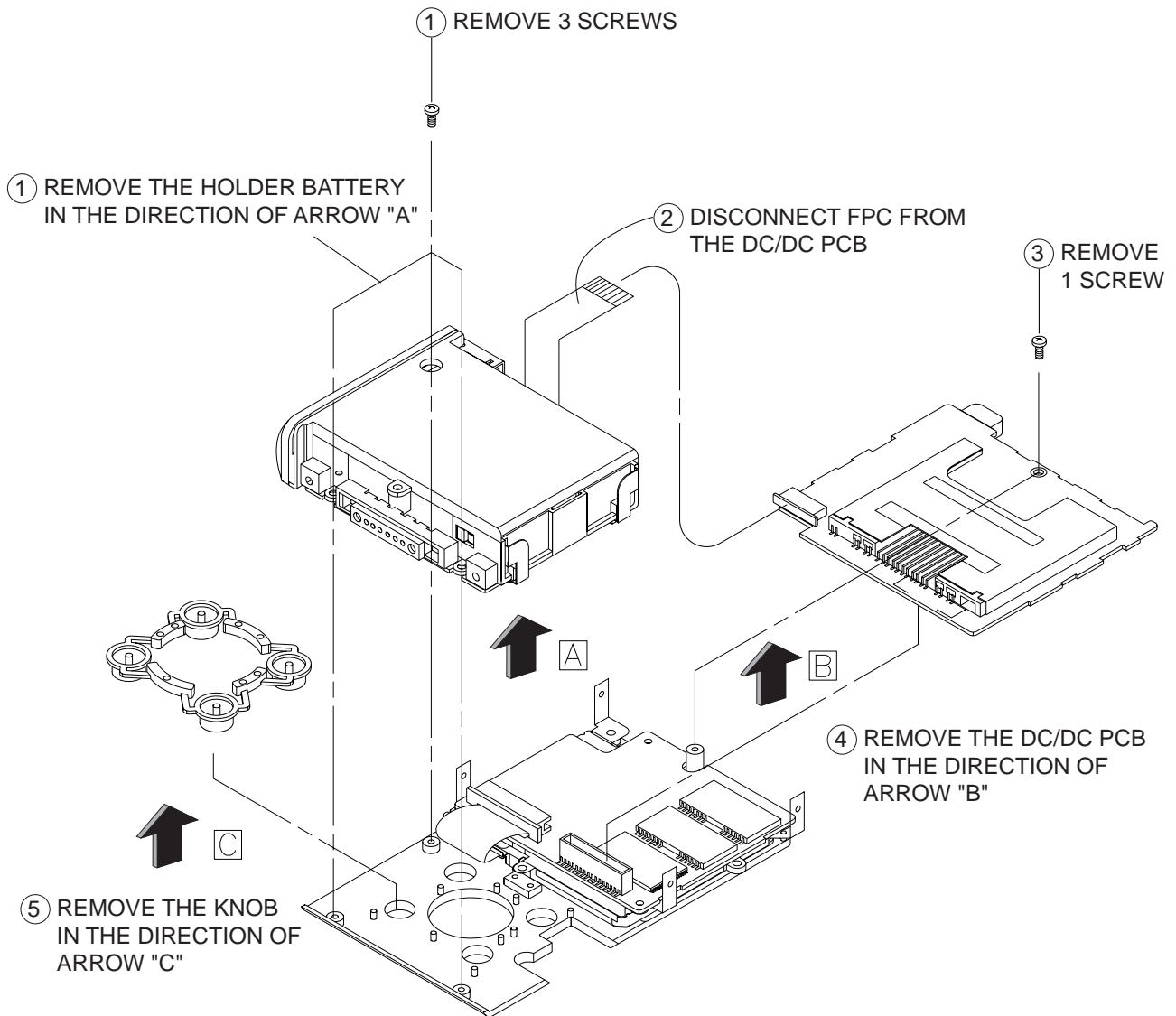


Fig. 3-4 Ass'y-DC/DC Removal

3-5. Ass'y-MAIN Removal

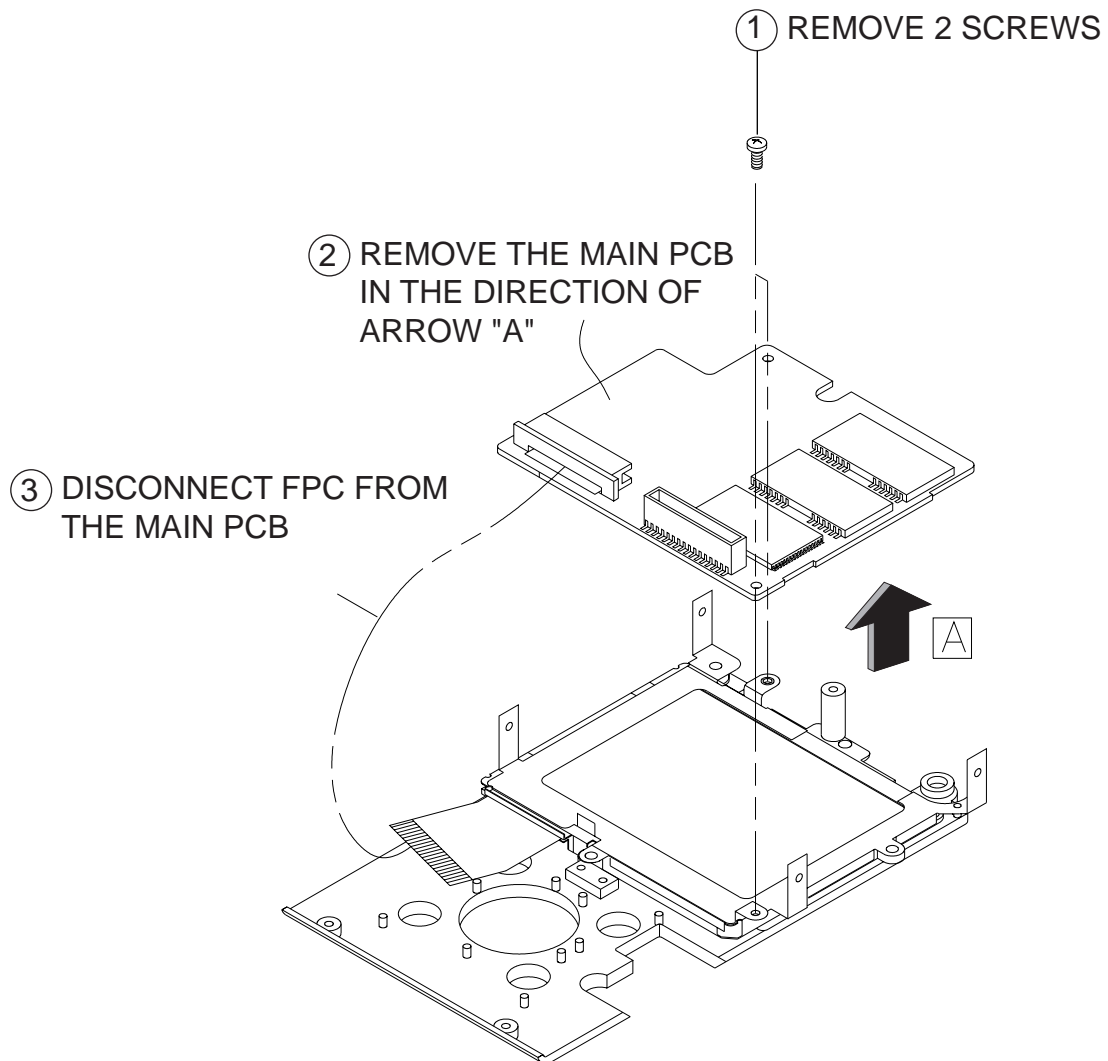


Fig. 3-5 Ass'y-MAIN Removal

3-6. Ass'y-LCD Removal

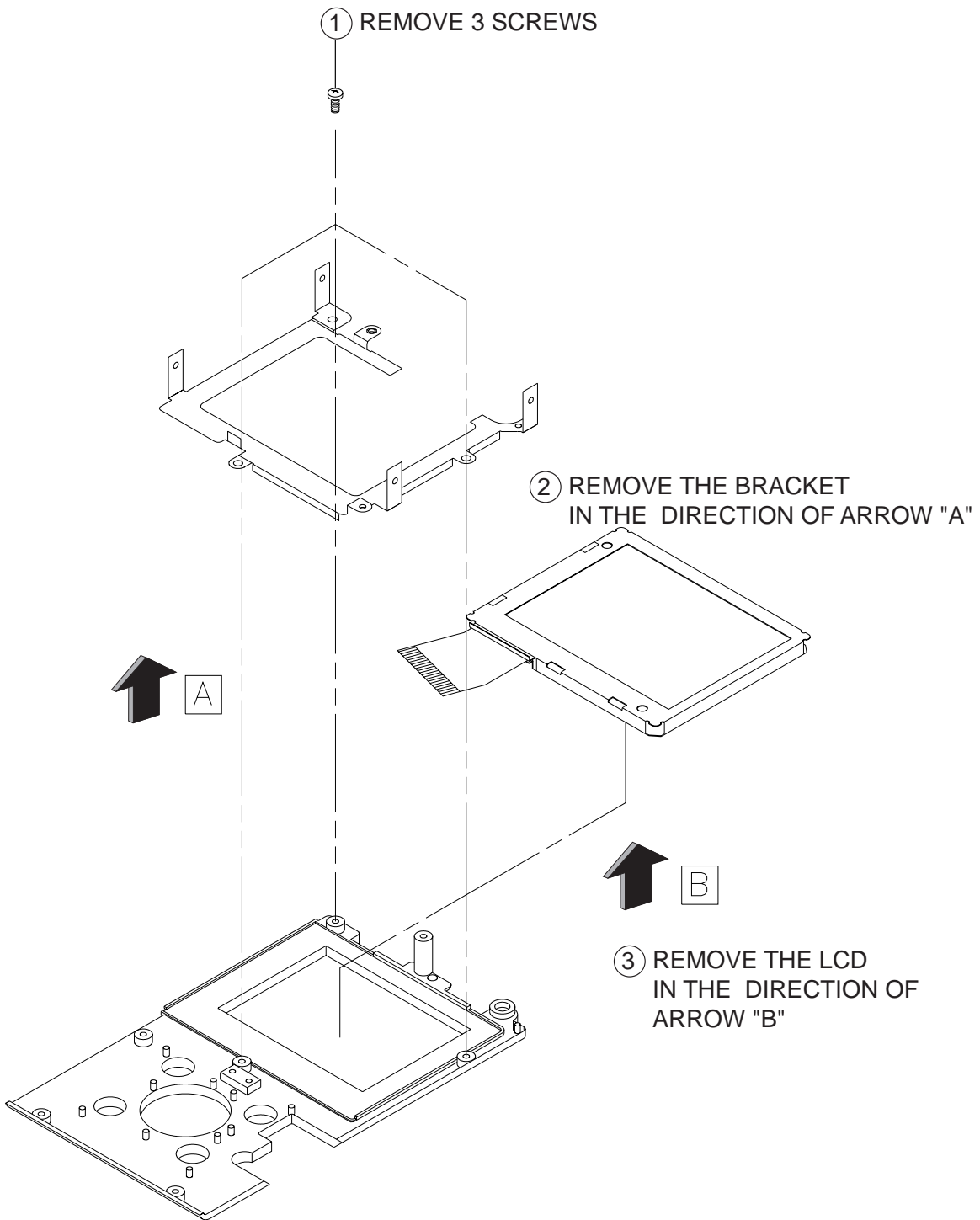


Fig. 3-6 Ass'y-LCD Removal

3-7. Ass'y-BATTERY HOLDER Removal

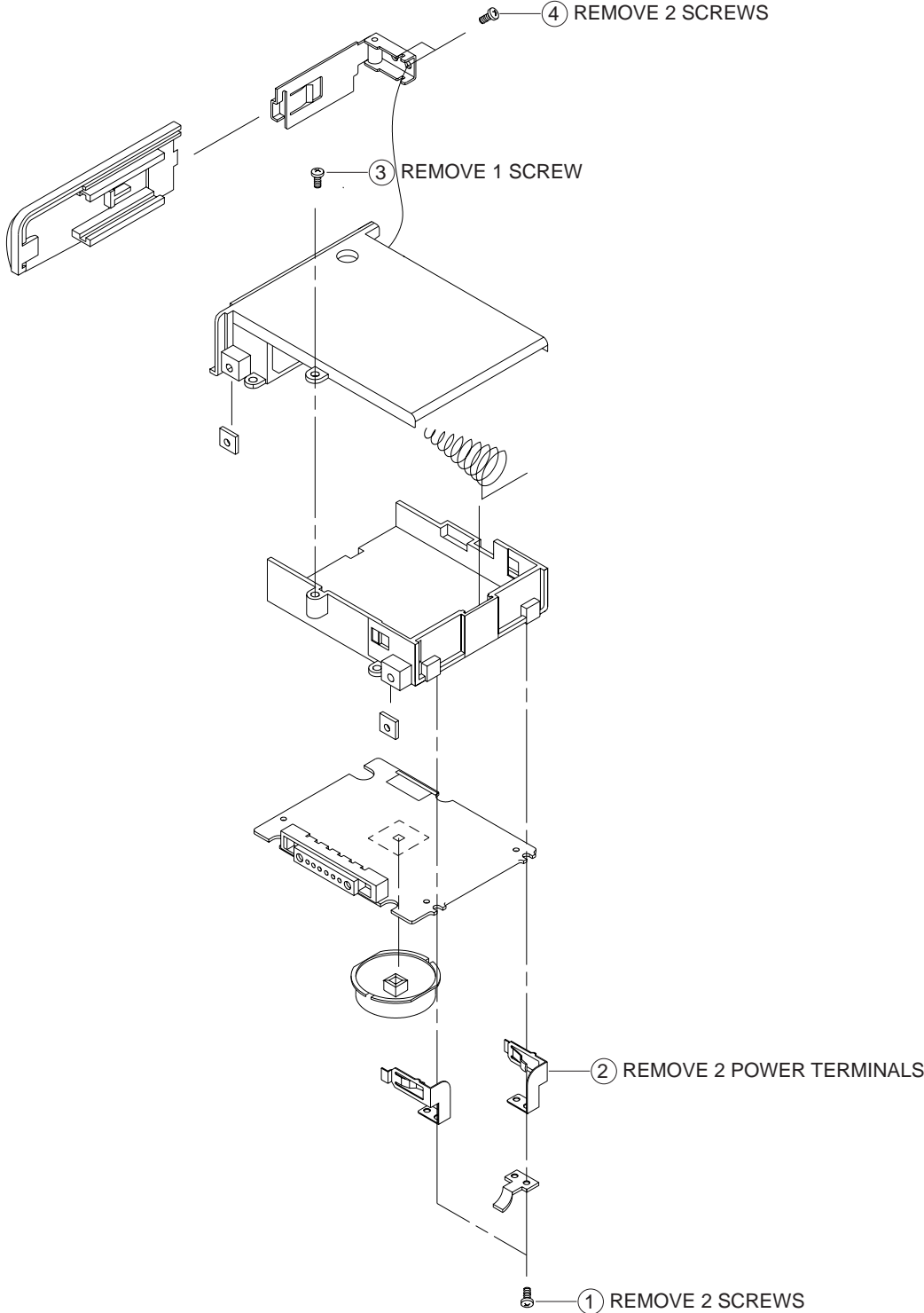


Fig. 3-7 Ass'y-BATTERY HOLDER Removal

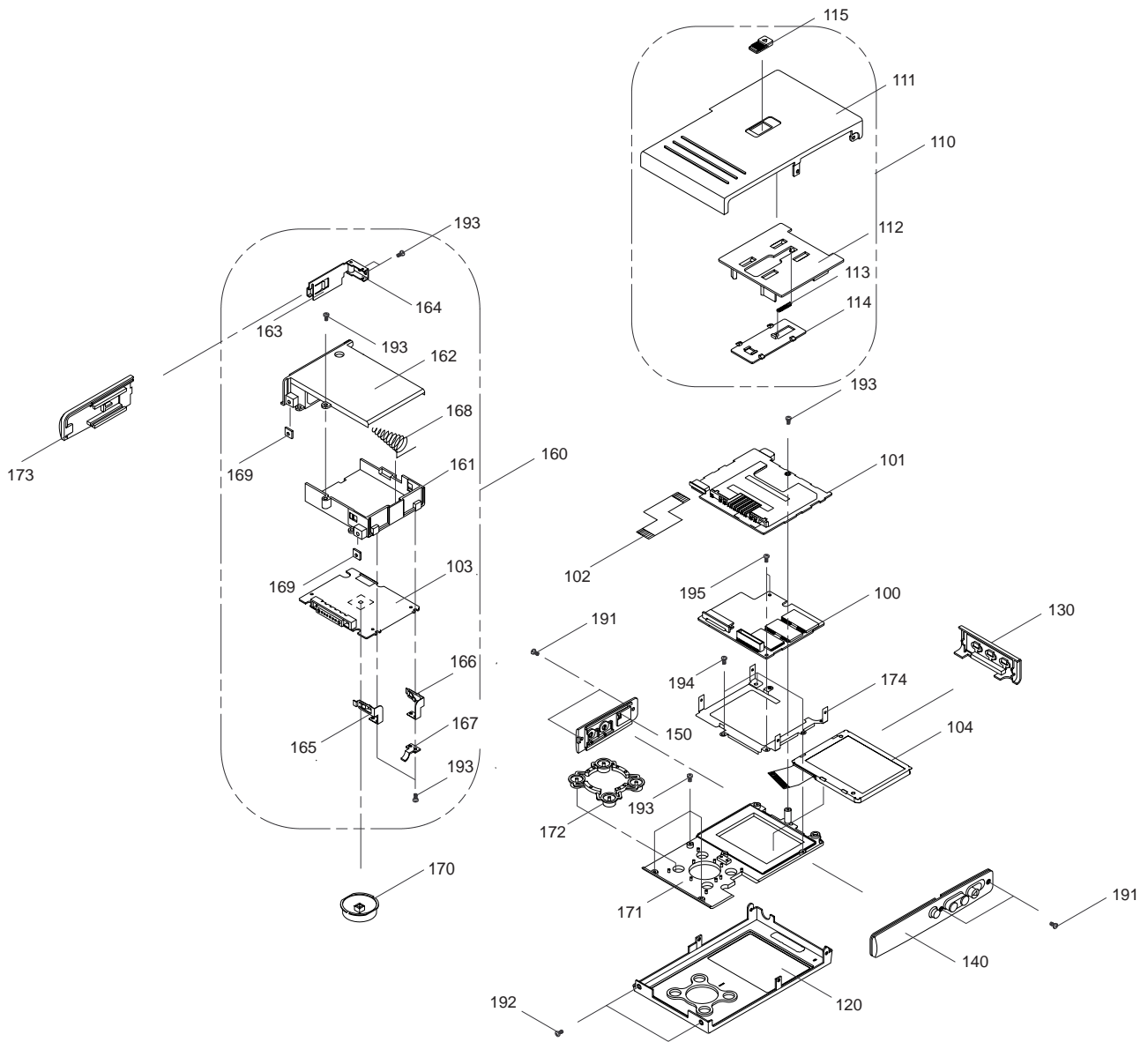
MEMO

4. Exploded View and Parts List

4-1. Cabinet Assembly4-2

4-2. Parts List4-3

4-1 Cabinet Assembly



4-2 Parts List

Loc. No	New Part No	Description and Specification Remark	Remark
100	AD97-01092A	ASSY-MAIN;SVM-P32,-,ASSY-MAIN	
101	AD97-01094A	ASSY-DC/DC;SVM-P32,-,ASSY-DC/DC	
120	AD64-00109A	CASE-FRONT;SVM-P32(YVP-P64),-,AL,-,-	
110	AD97-02374A	ASSY-CASE REAR;- ,SVM-P32(YVP-P64),ASSY	
112	AD61-00152A	HOLDER--CARD;-,-,PC,-,-,SVM-P32	
113	AD61-00339A	SPRING-SLIDE CARD;- ,PWB 0.3,-,-,CD0.25,D	
111	AD64-00110B	CASE-REAR;SVM-P32(YVP-P64),-,AL,-,-	
115	AD64-00114A	KNOB--CARD;- ,PC,-,-,-,SVM-P32,-	
114	AD66-00031A	SLIDER--CARD;-,-,-,-,-,SVM-P32	
171	AD97-01175A	ASSY-HOLDER FUNC;SVM-P32,-,ASSY	
130	AD97-01176A	ASSY-CASE TOP;SVM-P32,-,ASSY	
140	AD97-01177A	ASSY-CASE LEFT;SVM-P32,-,ASSY	
150	AD97-01178A	ASSY-CASE RIGHT;SVM-P32,-,ASSY	
160	AD97-01179A	ASSY-HOLDER BATT;SVM-P32,-,ASSY	
193	AC60-12128A	SCREW-TAP TITE BH;- ,BH,4 1.7,l4,-,FE,BLK	
161	AD61-00156A	HOLDER--BATTERY TOP;- ,ABS,-,-,SVM-P32	
162	AD61-00157A	HOLDER--BATTERY BOTTOM;- ,ABS,-,-,SMV-P	
163	AD61-00159A	BRACKET-DOOR A;- ,SUS,-,-,-,SVM-P32,-	
164	AD61-00160A	BRACKET-DOOR B;- ,SUS,-,-,-,SVM-P32,-	
165	AD61-00161A	PLATE--TERMINAL +;- ,SUS,SVM-P32	
166	AD61-00162A	PLATE--TERMINAL -;- ,SUS,SVM-P32	
167	AD61-00253A	PLATE--TERMINAL;- ,NIKEL,T0.15,-,SB-L105	
168	AD61-00314A	SPRING-BATTERY;- ,SWPB,-,-,0.4,8.2,-,-,SD	
169	AD61-12033A	BRACKET-NUT;SECC,T0.8,SV-D10	
170	AD64-00121A	KNOB--NAVIGATION;- ,ABS,-,-,-,SVM-P32,-	
103	AD97-01093A	ASSY-FUNCTION;SVM-P32,-,ASSY-FUNCTION	
192	6001-001289	SCREW-MACHINE;CH(0.5),+,M1.7,L5.0,NI PLT	
191	6001-001298	SCREW-MACHINE;CH(0.5),+,M1.7,L5.0,NI PLT	
193	AC60-12128A	SCREW-TAP TITE BH;- ,BH,4 1.7,l4,-,FE,BLK	
104	AD07-00001A	LCD-PANNEL;- ,LQ020A4FS01,	
195	AD60-00014A	SCREW-MACHINE;- ,WHT	
194	AD60-00016A	SCREW-TAPTITE;- ,CH,-,-,1.7,3,-	
174	AD61-00158A	BRACKET-LCD;- ,POM,-,-,-,SVM-P32,-	
172	AD64-00115A	KNOB--FUNC;- ,ABS,-,-,-,SVM-P32,-	
173	AD64-00122A	DOOR--BATTERY;- ,PC,-,-,-,-,SVM-P32	

MEMO

5. Electrical Parts List

Loc. No	Part No	Desc & Spec	Remark	Loc. No	Part No	Desc & Spec	Remark
		ASSY-MAIN BOARD					
CL101	2203-005061	C-CERAMIC,CHIP;100nF,+80-20%,16V,Y5V,TP,		CL355	2203-005061	C-CERAMIC,CHIP;100nF,+80-20%,16V,Y5V,TP,	
CL102	2203-005061	C-CERAMIC,CHIP;100nF,+80-20%,16V,Y5V,TP,		CL356	2203-005061	C-CERAMIC,CHIP;100nF,+80-20%,16V,Y5V,TP,	
CL104	2203-005061	C-CERAMIC,CHIP;100nF,+80-20%,16V,Y5V,TP,		CL357	2203-000254	C-CERAMIC,CHIP;10nF,10%,16V,X7R,TP,1005,	
CL201	2203-005061	C-CERAMIC,CHIP;100nF,+80-20%,16V,Y5V,TP,		CL358	2203-000254	C-CERAMIC,CHIP;10nF,10%,16V,X7R,TP,1005,	
				CL359	2203-000254	C-CERAMIC,CHIP;10nF,10%,16V,X7R,TP,1005,	
CL202	2404-001020	C-TA,CHIP;10uF,20%,10V,GP,TP,3216,3.2		CL360	2203-000254	C-CERAMIC,CHIP;10nF,10%,16V,X7R,TP,1005,	
CL203	2404-000304	C-TA,CHIP;22uF,20%,6.3V,-,TP,3528,-		CL361	2203-000254	C-CERAMIC,CHIP;10nF,10%,16V,X7R,TP,1005,	
CL204	2203-005061	C-CERAMIC,CHIP;100nF,+80-20%,16V,Y5V,TP,		CL362	2203-000254	C-CERAMIC,CHIP;10nF,10%,16V,X7R,TP,1005,	
CL207	2404-000151	C-TA,CHIP;1uF,20%,16V,-,TP,3216,-		CL363	2203-000254	C-CERAMIC,CHIP;10nF,10%,16V,X7R,TP,1005,	
CL213	2203-000254	C-CERAMIC,CHIP;10nF,10%,16V,X7R,TP,1005,		CL364	2203-000254	C-CERAMIC,CHIP;10nF,10%,16V,X7R,TP,1005,	
CL214	2203-000254	C-CERAMIC,CHIP;10nF,10%,16V,X7R,TP,1005,		CM01	2203-005061	C-CERAMIC,CHIP;100nF,+80-20%,16V,Y5V,TP,	
CL215	2203-000254	C-CERAMIC,CHIP;10nF,10%,16V,X7R,TP,1005,		CM02	2203-005061	C-CERAMIC,CHIP;100nF,+80-20%,16V,Y5V,TP,	
CL216	2203-000254	C-CERAMIC,CHIP;10nF,10%,16V,X7R,TP,1005,		CM05	2203-005061	C-CERAMIC,CHIP;100nF,+80-20%,16V,Y5V,TP,	
CL217	2203-000254	C-CERAMIC,CHIP;10nF,10%,16V,X7R,TP,1005,		CM06	2203-005061	C-CERAMIC,CHIP;100nF,+80-20%,16V,Y5V,TP,	
CL218	2203-000254	C-CERAMIC,CHIP;10nF,10%,16V,X7R,TP,1005,		CM07	2203-005061	C-CERAMIC,CHIP;100nF,+80-20%,16V,Y5V,TP,	
CL219	2203-000254	C-CERAMIC,CHIP;10nF,10%,16V,X7R,TP,1005,		CM08	2203-005061	C-CERAMIC,CHIP;100nF,+80-20%,16V,Y5V,TP,	
CL224	2203-005061	C-CERAMIC,CHIP;100nF,+80-20%,16V,Y5V,TP,		CM09	2203-005061	C-CERAMIC,CHIP;100nF,+80-20%,16V,Y5V,TP,	
CL225	2203-005061	C-CERAMIC,CHIP;100nF,+80-20%,16V,Y5V,TP,		CM10	2203-000278	C-CERAMIC,CHIP;0.01nF,0.5pF,50V,NP0,TP,1	
CL226	2203-005061	C-CERAMIC,CHIP;100nF,+80-20%,16V,Y5V,TP,		CM11	2203-000278	C-CERAMIC,CHIP;0.01nF,0.5pF,50V,NP0,TP,1	
CL237	2203-005061	C-CERAMIC,CHIP;100nF,+80-20%,16V,Y5V,TP,		CM12	2203-005061	C-CERAMIC,CHIP;100nF,+80-20%,16V,Y5V,TP,	
CL248	2203-005061	C-CERAMIC,CHIP;100nF,+80-20%,16V,Y5V,TP,		CM17	2404-001020	C-TA,CHIP;10uF,20%,10V,GP,TP,3216,3.2	
CL249	2203-005061	C-CERAMIC,CHIP;100nF,+80-20%,16V,Y5V,TP,		CM20	2203-005061	C-CERAMIC,CHIP;100nF,+80-20%,16V,Y5V,TP,	
CL250	2203-001656	C-CERAMIC,CHIP;0.47nF,5%,50V,NP0,TP,1608		CM21	2203-005061	C-CERAMIC,CHIP;100nF,+80-20%,16V,Y5V,TP,	
CL251	2404-001020	C-TA,CHIP;10uF,20%,10V,GP,TP,3216,3.2		CM25	2203-000552	C-CERAMIC,CHIP;0.02nF,5%,50V,NP0,TP,1608	
CL252	2404-001020	C-TA,CHIP;10uF,20%,10V,GP,TP,3216,3.2		CM26	2203-000552	C-CERAMIC,CHIP;0.02nF,5%,50V,NP0,TP,1608	
CL253	2404-001020	C-TA,CHIP;10uF,20%,10V,GP,TP,3216,3.2		CM28	2203-005061	C-CERAMIC,CHIP;100nF,+80-20%,16V,Y5V,TP,	
CL256	2203-001697	C-CERAMIC,CHIP;0.082nF,5%,50V,NP0,TP,160		CM31	2203-000438	C-CERAMIC,CHIP;1nF,10%,50V,X7R,TP,1005,-	
CL257	2203-001052	C-CERAMIC,CHIP;0.56nF,10%,50V,X7R,TP,160		CM32	2404-000335	C-TA,CHIP;3.3uF,20%,16V,GP,TP,3216	
CL258	2203-005061	C-CERAMIC,CHIP;100nF,+80-20%,16V,Y5V,TP,		CM33	2203-000254	C-CERAMIC,CHIP;10nF,10%,16V,X7R,TP,1005,	
CL259	2203-001686	C-CERAMIC,CHIP;0.075nF,5%,50V,NP0,TP,160		CM34	2404-001039	C-TA,CHIP;47uF,20%,6.3V,GP,TP,3528,-	
CL260	2203-000438	C-CERAMIC,CHIP;1nF,10%,50V,X7R,TP,1005,-		CM35	2404-001039	C-TA,CHIP;47uF,20%,6.3V,GP,TP,3528,-	
CL318	2404-001020	C-TA,CHIP;10uF,20%,10V,GP,TP,3216,3.2		CM37	2203-000438	C-CERAMIC,CHIP;1nF,10%,50V,X7R,TP,1005,-	
CL319	2203-005061	C-CERAMIC,CHIP;100nF,+80-20%,16V,Y5V,TP,		CM38	2203-000438	C-CERAMIC,CHIP;1nF,10%,50V,X7R,TP,1005,-	
CL346	2404-000212	C-TA,CHIP;3.3uF,20%,25V,-,TP,3528,-		CM39	2203-000359	C-CERAMIC,CHIP;0.15nF,5%,50V,NP0,TP,1005	
CL347	2203-005061	C-CERAMIC,CHIP;100nF,+80-20%,16V,Y5V,TP,		CM41	2203-000438	C-CERAMIC,CHIP;1nF,10%,50V,X7R,TP,1005,-	
CL348	2203-005061	C-CERAMIC,CHIP;100nF,+80-20%,16V,Y5V,TP,		CM42	2203-000438	C-CERAMIC,CHIP;1nF,10%,50V,X7R,TP,1005,-	
CL350	2404-000212	C-TA,CHIP;3.3uF,20%,25V,-,TP,3528,-		CM43	2203-000359	C-CERAMIC,CHIP;0.15nF,5%,50V,NP0,TP,1005	
CL351	2203-005061	C-CERAMIC,CHIP;100nF,+80-20%,16V,Y5V,TP,		CM44	2203-001052	C-CERAMIC,CHIP;0.56nF,10%,50V,X7R,TP,160	
CL353	2203-005061	C-CERAMIC,CHIP;100nF,+80-20%,16V,Y5V,TP,		CM45	2203-000359	C-CERAMIC,CHIP;0.15nF,5%,50V,NP0,TP,1005	
CL354	2203-005061	C-CERAMIC,CHIP;100nF,+80-20%,16V,Y5V,TP,		CM46	2203-001052	C-CERAMIC,CHIP;0.56nF,10%,50V,X7R,TP,160	

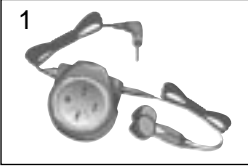



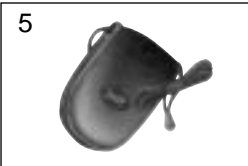


Loc. No	Part No	Desc & Spec	Remark	Loc. No	Part No	Desc & Spec	Remark
CM47	2203-001239	C-CERAMIC,CHIP;0.082nF,5%,50V,NP0,TP,100		ICL103	1002-001186	IC-D/A CONVERTER;CXD2304R,8BIT,LQFP,48P,	
CM48	2203-001239	C-CERAMIC,CHIP;0.082nF,5%,50V,NP0,TP,100		ICL104	1201-000200	IC-OP AMP;3414,SOP,8P,173MIL,DUAL,-,PLAS	
CM49	2203-005061	C-CERAMIC,CHIP;100nF,+80-20%,16V,Y5V,TP,		ICL105	1203-001285	IC-SWITCH VOL.REG;5205,SOT-23,5P,150MIL,	
CM50	2203-005061	C-CERAMIC,CHIP;100nF,+80-20%,16V,Y5V,TP,		ICL201	1002-001125	IC-D/A CONVERTER;M62366GP,8BIT,SSOP,20P,	
CM51	2203-005061	C-CERAMIC,CHIP;100nF,+80-20%,16V,Y5V,TP,		ICM01	1105-001203	IC-DRAM;416V1204,1Mx16Bit,TSOP,44P,400	
CM52	2203-005061	C-CERAMIC,CHIP;100nF,+80-20%,16V,Y5V,TP,		ICM02	0406-001084	DIODE-TVS;SMF05,6/-V,200W,-	
CM53	2203-005061	C-CERAMIC,CHIP;100nF,+80-20%,16V,Y5V,TP,		ICM05	AD13-00004A	IC-MCU;-,SA-1100,-,QFP,MP3-LCD,208P,-	
CM54	2203-005061	C-CERAMIC,CHIP;100nF,+80-20%,16V,Y5V,TP,		ICM07	1002-001174	IC-D/A CONVERTER;DAC3550A,-,QFP,44P,393M	
CM59	2203-005061	C-CERAMIC,CHIP;100nF,+80-20%,16V,Y5V,TP,		ICM08	1204-001534	IC-DECODER;MAS3507D,QFP,44P,-,PLASTIC,5,	
CM60	2203-005061	C-CERAMIC,CHIP;100nF,+80-20%,16V,Y5V,TP,		ICM09	1107-001198	IC-FLASH MEMORY;28F160,16Bit,TSOP,48P,-,	
CM61	2203-005061	C-CERAMIC,CHIP;100nF,+80-20%,16V,Y5V,TP,		ICM10	0801-002485	IC-CMOS LOGIC;TC74LCX244FT,OCTAL BUS BUT	
CM62	2203-005061	C-CERAMIC,CHIP;100nF,+80-20%,16V,Y5V,TP,		ICM11	0801-002143	IC-CMOS LOGIC;TC7S32F(T5L),OR GATE,SOT-2	
CM63	2203-005061	C-CERAMIC,CHIP;100nF,+80-20%,16V,Y5V,TP,		ICM14	1105-001203	IC-DRAM;416V1204,1Mx16Bit,TSOP,44P,400	
CM65	2203-005061	C-CERAMIC,CHIP;100nF,+80-20%,16V,Y5V,TP,		ICM19	1201-001006	IC-OP AMP;7101,SOT-23,5P,-,SINGLE,-,PLAS	
CM66	2203-001630	C-CERAMIC,CHIP;330nF,+80-20%,16V,Y5V,TP,		ICM20	1203-001285	IC-SWITCH VOL.REG;5205,SOT-23,5P,150MIL,	
CM72	2404-001020	C-TA,CHIP;10uF,20%,10V,GP,TP;3216,3,2		ICM21	1002-001161	IC-AD CONVERTER;TLV1544CPW,10BIT,SOP,16	
CM75	2203-000438	C-CERAMIC,CHIP;1nF,10%,50V,X7R,TP,1005,-		LL105	2703-000396	INDUCTOR-SMD;10uH,10%,2.5x2x1.8mm	
CM77	2203-005061	C-CERAMIC,CHIP;100nF,+80-20%,16V,Y5V,TP,		LL201	2703-000396	INDUCTOR-SMD;10uH,10%,2.5x2x1.8mm	
CM78	2203-000041	C-CERAMIC,CHIP;0.01nF,0.25pF,50V,NP0,TP,		LL202	2703-000396	INDUCTOR-SMD;10uH,10%,2.5x2x1.8mm	
CM79	2203-005061	C-CERAMIC,CHIP;100nF,+80-20%,16V,Y5V,TP,		LL301	2703-000396	INDUCTOR-SMD;10uH,10%,2.5x2x1.8mm	
CM80	2203-005061	C-CERAMIC,CHIP;100nF,+80-20%,16V,Y5V,TP,		LL302	2703-000397	INDUCTOR-SMD;33uH,10%,2.5x2x1.8mm	
CM81	2203-005061	C-CERAMIC,CHIP;100nF,+80-20%,16V,Y5V,TP,		LL303	2703-000396	INDUCTOR-SMD;10uH,10%,2.5x2x1.8mm	
CM82	2203-005061	C-CERAMIC,CHIP;100nF,+80-20%,16V,Y5V,TP,		LM08	2703-000396	INDUCTOR-SMD;10uH,10%,2.5x2x1.8mm	
CM83	2203-005061	C-CERAMIC,CHIP;100nF,+80-20%,16V,Y5V,TP,		LM10	2703-000396	INDUCTOR-SMD;10uH,10%,2.5x2x1.8mm	
CM84	2203-005061	C-CERAMIC,CHIP;100nF,+80-20%,16V,Y5V,TP,		QL101	0501-000546	TR-SMALL SIGNAL;KTA1298,PNP,200mW,SOT-23	
CM85	2203-005061	C-CERAMIC,CHIP;100nF,+80-20%,16V,Y5V,TP,		QL102	0504-001032	TR-DIGITAL;KRC404,NPN,100MW,47K/47K,SOT-	
CM86	2203-005061	C-CERAMIC,CHIP;100nF,+80-20%,16V,Y5V,TP,		QM05	0504-001032	TR-DIGITAL;KRC404,NPN,100MW,47K/47K,SOT-	
CM88	2203-001656	C-CERAMIC,CHIP;0.47nF,5%,50V,NP0,TP,1608		RL204	2007-000148	R-CHIP;10Kohm,5%,1/16W,DA,TP,1005	
CM89	2404-001020	C-TA,CHIP;10uF,20%,10V,GP,TP;3216,3,2		RL205	2007-000148	R-CHIP;10Kohm,5%,1/16W,DA,TP,1005	
CM90	2404-001020	C-TA,CHIP;10uF,20%,10V,GP,TP;3216,3,2		RL222	2007-000157	R-CHIP;47Kohm,5%,1/16W,DA,TP,1005	
CM91	2203-002793	C-CERAMIC,CHIP;1000nF,+80-20%,25V,Y5V,TP		RL223	2007-000775	R-CHIP;33Kohm,5%,1/16W,DA,TP,1005	
CM92	2203-005061	C-CERAMIC,CHIP;100nF,+80-20%,16V,Y5V,TP,		RL225	2007-000159	R-CHIP;56Kohm,5%,1/16W,DA,TP,1005	
CM93	2203-002793	C-CERAMIC,CHIP;1000nF,+80-20%,25V,Y5V,TP		RL226	2007-000157	R-CHIP;47Kohm,5%,1/16W,DA,TP,1005	
CM94	2404-001020	C-TA,CHIP;10uF,20%,10V,GP,TP;3216,3,2		RL233	2007-000143	R-CHIP;4.7Kohm,5%,1/16W,DA,TP,1005	
CNL301	3708-001340	CONNECTOR-FPC/FC/PIC;24P,0.5mm,SMD-A,SN		RL234	2007-000831	R-CHIP;39Kohm,5%,1/16W,DA,TP,1005	
CNM01	3711-004392	CONNECTOR-HEADER;BOX,50P,2R,0.5mm,SMD-S,		RL235	2007-000157	R-CHIP;47Kohm,5%,1/16W,DA,TP,1005	
DL301	0405-000123	DIODE-VARACTOR;1T369,34V,10nA,DSM,TP		RL236	2007-000138	R-CHIP;100ohm,5%,1/16W,DA,TP,1005	
DM02	0401-001054	DIODE-SWITCHING;KDS160,85V,300mA,SOD-323		RL237	2007-000138	R-CHIP;100ohm,5%,1/16W,DA,TP,1005	
ICL101	1003-001256	IC-LCD DRIVER;RB5P0020M,QFP,48P,275MIL,-		RL238	2007-000138	R-CHIP;100ohm,5%,1/16W,DA,TP,1005	
ICL102	AD13-00003A	IC-DRIVE;-LZ95NAO,TQFP,48P,-		RL247	2007-000148	R-CHIP;10Kohm,5%,1/16W,DA,TP,1005	

Loc. No	Part No	Desc & Spec	Remark	Loc. No	Part No	Desc & Spec	Remark
RL248	2007-000148	R-CHIP;10Kohm,5%,1/16W,DA,TP,1005		RL418	2007-000148	R-CHIP;10Kohm,5%,1/16W,DA,TP,1005	
RL250	2007-000148	R-CHIP;10Kohm,5%,1/16W,DA,TP,1005		RL419	2007-000148	R-CHIP;10Kohm,5%,1/16W,DA,TP,1005	
RL261	2007-000148	R-CHIP;10Kohm,5%,1/16W,DA,TP,1005		RL420	2007-000148	R-CHIP;10Kohm,5%,1/16W,DA,TP,1005	
RL336	2007-000148	R-CHIP;10Kohm,5%,1/16W,DA,TP,1005		RL421	2007-000148	R-CHIP;10Kohm,5%,1/16W,DA,TP,1005	
RL337	2007-000143	R-CHIP;4.7Kohm,5%,1/16W,DA,TP,1005		RL422	2007-000164	R-CHIP;150Kohm,5%,1/16W,DA,TP,1005	
RL338	2007-000157	R-CHIP;47Kohm,5%,1/16W,DA,TP,1005		RL423	2007-000157	R-CHIP;47Kohm,5%,1/16W,DA,TP,1005	
RL339	2007-000775	R-CHIP;33Kohm,5%,1/16W,DA,TP,1005		RL424	2007-000148	R-CHIP;10Kohm,5%,1/16W,DA,TP,1005	
RL341	2007-000143	R-CHIP;4.7Kohm,5%,1/16W,DA,TP,1005		RL425	2007-000148	R-CHIP;10Kohm,5%,1/16W,DA,TP,1005	
RL342	2007-000637	R-CHIP;270Kohm,5%,1/16W,DA,TP,1608		RL426	2007-000140	R-CHIP;1Kohm,5%,1/16W,DA,TP,1005	
RL343	2007-000775	R-CHIP;33Kohm,5%,1/16W,DA,TP,1005		RL427	2007-000148	R-CHIP;10Kohm,5%,1/16W,DA,TP,1005	
RL344	2007-000140	R-CHIP;1Kohm,5%,1/16W,DA,TP,1005		RM01	2007-000139	R-CHIP;220ohm,5%,1/16W,DA,TP,1005	
RL345	2007-000736	R-CHIP;30Kohm,1%,1/16W,DA,TP,1608		RM02	2007-000162	R-CHIP;100Kohm,5%,1/16W,DA,TP,1005	
RL347	2007-001206	R-CHIP;82Kohm,1%,1/16W,DA,TP,1608		RM04	2007-000162	R-CHIP;100Kohm,5%,1/16W,DA,TP,1005	
RL348	2007-000162	R-CHIP;100Kohm,5%,1/16W,DA,TP,1005		RM05	2007-000162	R-CHIP;100Kohm,5%,1/16W,DA,TP,1005	
RL349	2007-000148	R-CHIP;10Kohm,5%,1/16W,DA,TP,1005		RM06	2007-000162	R-CHIP;100Kohm,5%,1/16W,DA,TP,1005	
RL350	2007-000143	R-CHIP;4.7Kohm,5%,1/16W,DA,TP,1005		RM07	2007-000162	R-CHIP;100Kohm,5%,1/16W,DA,TP,1005	
RL352	2007-000162	R-CHIP;100Kohm,5%,1/16W,DA,TP,1005		RM10	2007-000139	R-CHIP;220ohm,5%,1/16W,DA,TP,1005	
RL353	2007-000148	R-CHIP;10Kohm,5%,1/16W,DA,TP,1005		RM100	2007-000077	R-CHIP;470ohm,5%,1/16W,DA,TP,1608	
RL355	2007-000160	R-CHIP;68Kohm,5%,1/16W,DA,TP,1005		RM11	2007-000139	R-CHIP;220ohm,5%,1/16W,DA,TP,1005	
RL356	2007-000170	R-CHIP;1Mohm,5%,1/16W,DA,TP,1005		RM12	2007-000139	R-CHIP;220ohm,5%,1/16W,DA,TP,1005	
RL357	2007-000093	R-CHIP;20Kohm,5%,1/16W,DA,TP,1608		RM13	2007-000139	R-CHIP;220ohm,5%,1/16W,DA,TP,1005	
RL359	2007-000160	R-CHIP;68Kohm,5%,1/16W,DA,TP,1005		RM14	2007-000139	R-CHIP;220ohm,5%,1/16W,DA,TP,1005	
RL360	2007-000154	R-CHIP;24Kohm,5%,1/16W,DA,TP,1005		RM20	2007-000162	R-CHIP;100Kohm,5%,1/16W,DA,TP,1005	
RL361	2007-000170	R-CHIP;1Mohm,5%,1/16W,DA,TP,1005		RM22	2007-000162	R-CHIP;100Kohm,5%,1/16W,DA,TP,1005	
RL362	2007-000162	R-CHIP;100Kohm,5%,1/16W,DA,TP,1005		RM23	2007-000148	R-CHIP;10Kohm,5%,1/16W,DA,TP,1005	
RL363	2007-000148	R-CHIP;10Kohm,5%,1/16W,DA,TP,1005		RM37	2007-000162	R-CHIP;100Kohm,5%,1/16W,DA,TP,1005	
RL364	2007-000831	R-CHIP;39Kohm,5%,1/16W,DA,TP,1005		RM40	2007-000162	R-CHIP;100Kohm,5%,1/16W,DA,TP,1005	
RL400	2007-000491	R-CHIP;2.2Kohm,1%,1/16W,DA,TP,1608		RM41	2007-000162	R-CHIP;100Kohm,5%,1/16W,DA,TP,1005	
RL401	2007-001313	R-CHIP;330ohm,5%,1/16W,DA,TP,1005		RM42	2007-000162	R-CHIP;100Kohm,5%,1/16W,DA,TP,1005	
RL402	2007-000965	R-CHIP;5.1Kohm,5%,1/16W,DA,TP,1608		RM43	2007-000162	R-CHIP;100Kohm,5%,1/16W,DA,TP,1005	
RL403	2007-001313	R-CHIP;330ohm,5%,1/16W,DA,TP,1005		RM44	2007-000148	R-CHIP;10Kohm,5%,1/16W,DA,TP,1005	
RL404	2007-001313	R-CHIP;330ohm,5%,1/16W,DA,TP,1005		RM45	2007-000162	R-CHIP;100Kohm,5%,1/16W,DA,TP,1005	
RL405	2007-001313	R-CHIP;330ohm,5%,1/16W,DA,TP,1005		RM46	2007-000162	R-CHIP;100Kohm,5%,1/16W,DA,TP,1005	
RL411	2007-000171	R-CHIP;0ohm,5%,1/16W,DA,TP,1005		RM47	2007-000148	R-CHIP;10Kohm,5%,1/16W,DA,TP,1005	
RL412	2007-000171	R-CHIP;0ohm,5%,1/16W,DA,TP,1005		RM57	2007-000173	R-CHIP;22ohm,5%,1/16W,DA,TP,1005	
RL413	2007-000138	R-CHIP;100ohm,5%,1/16W,DA,TP,1005		RM58	2007-000242	R-CHIP;1.5Kohm,5%,1/16W,DA,TP,1005	
RL414	2007-000138	R-CHIP;100ohm,5%,1/16W,DA,TP,1005		RM59	2007-000173	R-CHIP;22ohm,5%,1/16W,DA,TP,1005	
RL415	2007-000162	R-CHIP;100Kohm,5%,1/16W,DA,TP,1005		RM60	2007-000242	R-CHIP;1.5Kohm,5%,1/16W,DA,TP,1005	
RL416	2007-000157	R-CHIP;47Kohm,5%,1/16W,DA,TP,1005		RM61	2007-000173	R-CHIP;22ohm,5%,1/16W,DA,TP,1005	
RL417	2007-000159	R-CHIP;56Kohm,5%,1/16W,DA,TP,1005		RM62	2007-000088	R-CHIP;7.5Kohm,5%,1/16W,DA,TP,1608	

Loc. No	Part No	Desc & Spec	Remark	Loc. No	Part No	Desc & Spec	Remark
RM63	2007-000088	R-CHIP;7.5Kohm,5%,1/16W,DA,TP,1608		ICC01	1203-001840	IC-BATTERY;3801,SOP,16P,150MIL,PLASTIC,-	
RM64	2007-000151	R-CHIP;15Kohm,5%,1/16W,DA,TP,1005		LC02	2703-001865	INDUCTOR-SMD;33UH,20%,6X6X2.8MM	
RM65	2007-000151	R-CHIP;15Kohm,5%,1/16W,DA,TP,1005		QC02	0501-000682	TR-SMALL SIGNAL;FP102,PNP,-600MW,PCP4,TP	
RM66	2007-000088	R-CHIP;7.5Kohm,5%,1/16W,DA,TP,1608		QC04	0504-001040	TR-DIGITAL;KRC403,NPN,100MW,22K/22K,SOT-	
RM67	2007-000088	R-CHIP;7.5Kohm,5%,1/16W,DA,TP,1608		QC05	0504-001032	TR-DIGITAL;KRC404,NPN,100MW,47K/47K,SOT-	
RM68	2007-000088	R-CHIP;7.5Kohm,5%,1/16W,DA,TP,1608		RC04	2007-000078	R-CHIP;1Kohm,5%,1/16W,DA,TP,1608	
RM69	2007-000088	R-CHIP;7.5Kohm,5%,1/16W,DA,TP,1608		RC05	2007-001694	R-CHIP;12Kohm,0.5%,1/16W,DA,TP,1608	
RM70	2007-000153	R-CHIP;22Kohm,5%,1/16W,DA,TP,1005		RC06	2007-007960	R-CHIP;0.1ohm,1%,1/2W,DA,TP,3216	
RM71	2007-000153	R-CHIP;22Kohm,5%,1/16W,DA,TP,1005		RC07	2007-001694	R-CHIP;12Kohm,0.5%,1/16W,DA,TP,1608	
RM79	2007-000153	R-CHIP;22Kohm,5%,1/16W,DA,TP,1005		RC08	2007-001695	R-CHIP;22Kohm,0.5%,1/16W,DA,TP,1608	
RM80	2007-000153	R-CHIP;22Kohm,5%,1/16W,DA,TP,1005		RC09	2007-001695	R-CHIP;22Kohm,0.5%,1/16W,DA,TP,1608	
RM81	2007-000106	R-CHIP;220Kohm,5%,1/16W,DA,TP,1608		RC10	2007-000102	R-CHIP;100Kohm,5%,1/16W,DA,TP,1608	
RM82	2007-000242	R-CHIP;1.5Kohm,5%,1/16W,DA,TP,1005		RC11	2007-001697	R-CHIP;18Kohm,0.5%,1/16W,DA,TP,1608	
RM83	2007-000141	R-CHIP;2.2Kohm,5%,1/16W,DA,TP,1005		RC12	2007-000516	R-CHIP;2.7Kohm,1%,1/16W,DA,TP,1608	
RM85	2007-000171	R-CHIP;0ohm,5%,1/16W,DA,TP,1005		RC13	2007-000078	R-CHIP;1Kohm,5%,1/16W,DA,TP,1608	
RM86	2007-000171	R-CHIP;0ohm,5%,1/16W,DA,TP,1005		RC14	2007-000102	R-CHIP;100Kohm,5%,1/16W,DA,TP,1608	
RM87	2007-000171	R-CHIP;0ohm,5%,1/16W,DA,TP,1005		RC15	2007-001694	R-CHIP;12Kohm,0.5%,1/16W,DA,TP,1608	
RM88	2007-000171	R-CHIP;0ohm,5%,1/16W,DA,TP,1005		RC16	2007-001644	R-CHIP;10Kohm,0.5%,1/16W,DA,TP,1608	
RM93	2007-000162	R-CHIP;100Kohm,5%,1/16W,DA,TP,1005		RC17	2007-000076	R-CHIP;330ohm,5%,1/16W,DA,TP,1608	
RM94	2007-000162	R-CHIP;100Kohm,5%,1/16W,DA,TP,1005		RC18	2007-000572	R-CHIP;220OHM,5%,1/10W,DA,TP,2012	
RM95	2007-000162	R-CHIP;100Kohm,5%,1/16W,DA,TP,1005		RT01	2007-000077	R-CHIP;470ohm,5%,1/16W,DA,TP,1608	
RM96	2007-000162	R-CHIP;100Kohm,5%,1/16W,DA,TP,1005		RT02	2007-000067	R-CHIP;15Kohm,1%,1/16W,DA,TP,1608	
RM97	2007-000162	R-CHIP;100Kohm,5%,1/16W,DA,TP,1005		RT03	2007-000067	R-CHIP;15Kohm,1%,1/16W,DA,TP,1608	
XM02	2801-003830	CRYSTAL-SMD;3.6864MHZ,50PPM,28-ABN,12PF,		RT04	2007-000614	R-CHIP;24Kohm,1%,1/16W,DA,TP,1608	
XM03	2801-003829	CRYSTAL-SMD;14.725MHZ,30PPM,28-ACI,12PF,		RT05	2007-000939	R-CHIP;47Kohm,1%,1/16W,DA,TP,1608	
ASSY-FUNCTION BOARD				RT06	2007-000772	R-CHIP;33Kohm,1%,1/16W,DA,TP,1608	
BT01	3301-001051	CORE-FERRITE BEAD;AC,1.6X0.8X0.8mm,-,-		RT07	2007-001206	R-CHIP;82Kohm,1%,1/16W,DA,TP,1608	
CC01	2203-000189	C-CERAMIC,CHIP;100nF,+80-20%,25V,Y5V,TP,		RT08	2007-000442	R-CHIP;180Kohm,1%,1/16W,DA,TP,1608	
CC02	2404-001039	C-TA,CHIP;47uF,20%,6.3V,GP,TP,3528,-		RT09	2007-001023	R-CHIP;560Kohm,1%,1/16W,DA,TP,1608	
CC03	2404-001039	C-TA,CHIP;47uF,20%,6.3V,GP,TP,3528,-		SWT01	3404-001115	SWITCH-TACT;12V DC,50mA,260gf,5.2x5.2x0.	
CC04	2203-002793	C-CERAMIC,CHIP;1000nF,+80-20%,25V,Y5V,TP		SWT02	3404-001115	SWITCH-TACT;12V DC,50mA,260gf,5.2x5.2x0.	
CC05	2203-000491	C-CERAMIC,CHIP;2.2nF,10%,50V,X7R,TP,1608		SWT03	3404-001115	SWITCH-TACT;12V DC,50mA,260gf,5.2x5.2x0.	
CC06	2203-000491	C-CERAMIC,CHIP;2.2nF,10%,50V,X7R,TP,1608		SWT04	3404-001115	SWITCH-TACT;12V DC,50mA,260gf,5.2x5.2x0.	
CC08	2404-000151	C-TA,CHIP;1uF,20%,16V,-,TP,3216,-		SWT05	3409-001101	SWITCH-DETECTOR;15V,20mA,SPST,31gf,LEVER	
CC09	2203-002793	C-CERAMIC,CHIP;1000nF,+80-20%,25V,Y5V,TP		ASSY-DC/DC BOARD			
CNT01	3708-001236	CONNECTOR-FPC/FC/PIC;10P,0.5mm,SMD-A,SN		BF01	3301-001051	CORE-FERRITE BEAD;AC,1.6X0.8X0.8mm,-,-	
CT01	2203-000189	C-CERAMIC,CHIP;100nF,+80-20%,25V,Y5V,TP,		BF02	3301-001051	CORE-FERRITE BEAD;AC,1.6X0.8X0.8mm,-,-	
DC03	0404-000150	DIODE-SCHOTTKY;EC10QS04,40V,1A,SMD,TP		BF03	3301-001051	CORE-FERRITE BEAD;AC,1.6X0.8X0.8mm,-,-	
DC04	0601-001334	LED;CHIP,GRN,1.2x0.8mm,570nm		BF04	3301-001051	CORE-FERRITE BEAD;AC,1.6X0.8X0.8mm,-,-	
FC01	3601-001155	FUSE-SURFACE MOUNT;24V,4A,FAST-ACTING,CE		CD01	2203-005061	C-CERAMIC,CHIP;100nF,+80-20%,16V,Y5V,TP,	

Loc. No	Part No	Desc & Spec	Remark	Loc. No	Part No	Desc & Spec	Remark
CD02	2203-005061	C-CERAMIC,CHIP;100nF,+80-20%,16V,Y5V,TP,		CF02	2203-005061	C-CERAMIC,CHIP;100nF,+80-20%,16V,Y5V,TP,	
CD03	2203-000189	C-CERAMIC,CHIP;100nF,+80-20%,25V,Y5V,TP,		CF03	2203-005061	C-CERAMIC,CHIP;100nF,+80-20%,16V,Y5V,TP,	
CD04	2203-000585	C-CERAMIC,CHIP;220pF,10%,50V,X7R,TP,1005		CF04	2203-005061	C-CERAMIC,CHIP;100nF,+80-20%,16V,Y5V,TP,	
CD05	2203-005061	C-CERAMIC,CHIP;100nF,+80-20%,16V,Y5V,TP,		CF05	2404-001020	C-TA,CHIP;10uF,20%,10V,GP,TP;3216,3.2	
CD07	2203-005061	C-CERAMIC,CHIP;100nF,+80-20%,16V,Y5V,TP,		CF06	2404-001131	C-TA,CHIP;22UF,10%,10V,GP,TP;3528	
CD08	2203-005061	C-CERAMIC,CHIP;100nF,+80-20%,16V,Y5V,TP,		CF07	2203-000745	C-CERAMIC,CHIP;30PF,5%,50V,NPO,TP,1608,-	
CD09	2404-000284	C-TA,CHIP;10uF,20%,16V,-,TP;3528,-		CF08	2203-005061	C-CERAMIC,CHIP;100nF,+80-20%,16V,Y5V,TP,	
CD10	2203-002793	C-CERAMIC,CHIP;1000nF,+80-20%,25V,Y5V,TP		CF09	2203-005061	C-CERAMIC,CHIP;100nF,+80-20%,16V,Y5V,TP,	
CD11	2404-001020	C-TA,CHIP;10uF,20%,10V,GP,TP;3216,3.2		CF10	2203-002793	C-CERAMIC,CHIP;1000nF,+80-20%,25V,Y5V,TP	
CD12	2203-002793	C-CERAMIC,CHIP;1000nF,+80-20%,25V,Y5V,TP		CF11	2203-005061	C-CERAMIC,CHIP;100nF,+80-20%,16V,Y5V,TP,	
CD13	2404-000212	C-TA,CHIP;3.3uF,20%,25V,-,TP;3528,-		CF13	2203-005061	C-CERAMIC,CHIP;100nF,+80-20%,16V,Y5V,TP,	
CD14	2203-002793	C-CERAMIC,CHIP;1000nF,+80-20%,25V,Y5V,TP		CF15	2203-000254	C-CERAMIC,CHIP;10nF,10%,16V,X7R,TP,1005,	
CD15	2203-002793	C-CERAMIC,CHIP;1000nF,+80-20%,25V,Y5V,TP		CF16	2203-000041	C-CERAMIC,CHIP;0.01nF,0.25pF,50V,NP0,TP,	
CD16	2404-000212	C-TA,CHIP;3.3uF,20%,25V,-,TP;3528,-		CF17	2203-005061	C-CERAMIC,CHIP;100nF,+80-20%,16V,Y5V,TP,	
CD17	2203-002793	C-CERAMIC,CHIP;1000nF,+80-20%,25V,Y5V,TP		CF18	2203-005061	C-CERAMIC,CHIP;100nF,+80-20%,16V,Y5V,TP,	
CD18	2203-002793	C-CERAMIC,CHIP;1000nF,+80-20%,25V,Y5V,TP		CF19	2203-000384	C-CERAMIC,CHIP;0.015nF,5%,50V,NP0,TP,160	
CD19	2404-001020	C-TA,CHIP;10uF,20%,10V,GP,TP;3216,3.2		CF20	2203-000384	C-CERAMIC,CHIP;0.015nF,5%,50V,NP0,TP,160	
CD20	2404-001020	C-TA,CHIP;10uF,20%,10V,GP,TP;3216,3.2		CF21	2203-005061	C-CERAMIC,CHIP;100nF,+80-20%,16V,Y5V,TP,	
CD21	2203-000438	C-CERAMIC,CHIP;1nF,10%,50V,X7R,TP,1005,-		CF22	2203-000560	C-CERAMIC,CHIP;220nF,+80-20%,25V,Y5V,TP,	
CD22	2203-000438	C-CERAMIC,CHIP;1nF,10%,50V,X7R,TP,1005,-		CF23	2203-000560	C-CERAMIC,CHIP;220nF,+80-20%,25V,Y5V,TP,	
CD23	2203-002793	C-CERAMIC,CHIP;1000nF,+80-20%,25V,Y5V,TP		CF26	2203-002793	C-CERAMIC,CHIP;1000nF,+80-20%,25V,Y5V,TP	
CD24	2404-001020	C-TA,CHIP;10uF,20%,10V,GP,TP;3216,3.2		CF27	2203-002793	C-CERAMIC,CHIP;1000nF,+80-20%,25V,Y5V,TP	
CD25	2203-002793	C-CERAMIC,CHIP;1000nF,+80-20%,25V,Y5V,TP		CNF01	3710-001269	CONNECTOR-SOCKET;50P2R,0.5mm,SMD-S,AUF	
CD26	2404-000212	C-TA,CHIP;3.3uF,20%,25V,-,TP;3528,-		CNF02	3709-001123	CONNECTOR-CARD EDGE;26P,1.1MM,SMD-A,AUF	
CD28	2203-000438	C-CERAMIC,CHIP;1nF,10%,50V,X7R,TP,1005,-		CNF03	3708-001236	CONNECTOR-FPC/FC/PIC;10P,0.5mm,SMD-A,SN	
CD29	2203-000254	C-CERAMIC,CHIP;10nF,10%,16V,X7R,TP,1005,		DD01	0401-001054	DIODE-SWITCHING;KDS160,85V,300mA,SOD-323	
CD30	2203-000438	C-CERAMIC,CHIP;1nF,10%,50V,X7R,TP,1005,-		DD02	0401-001054	DIODE-SWITCHING;KDS160,85V,300mA,SOD-323	
CD31	2203-000438	C-CERAMIC,CHIP;1nF,10%,50V,X7R,TP,1005,-		DD03	0401-001054	DIODE-SWITCHING;KDS160,85V,300mA,SOD-323	
CD32	2203-001596	C-CERAMIC,CHIP;2.2uF,+80-20%,50V,Y5V,20,		DD06	0404-000150	DIODE-SCHOTTKY;EC10QS04,40V,1A,SMD,TP	
CD33	2203-000438	C-CERAMIC,CHIP;1nF,10%,50V,X7R,TP,1005,-		DD07	0404-000150	DIODE-SCHOTTKY;EC10QS04,40V,1A,SMD,TP	
CD35	2203-002793	C-CERAMIC,CHIP;1000nF,+80-20%,25V,Y5V,TP		DF01	0401-001054	DIODE-SWITCHING;KDS160,85V,300mA,SOD-323	
CD37	2203-001596	C-CERAMIC,CHIP;2.2uF,+80-20%,50V,Y5V,20,		ICD01	1203-001534	IC-PWM CONTROLLER;TL1466I,QFP;64P,-,PLAS	
CD39	2404-001131	C-TA,CHIP;22UF,10%,10V,GP,TP;3528		ICD02	AD26-00015A	TRANS-CONVERTOR;REEL-,SVM-P32,DC2.5V-DC	
CD40	2404-001131	C-TA,CHIP;22UF,10%,10V,GP,TP;3528		ICF01	0801-002390	IC-CMOS LOGIC;TC74VHC374FT,FLIP-FLOP,TSS	
CD41	2203-002793	C-CERAMIC,CHIP;1000nF,+80-20%,25V,Y5V,TP		ICF02	0904-001434	IC-BUS CONTROLLER;12,-,TSSOP;28P;259MIL,	
CD42	2404-001020	C-TA,CHIP;10uF,20%,10V,GP,TP;3216,3.2		ICF03	0801-002484	IC-CMOS LOGIC;TC74LCX138FT,3-TO-8 DECOD	
CD44	2203-001596	C-CERAMIC,CHIP;2.2uF,+80-20%,50V,Y5V,20,		ICF04	0801-002095	IC-CMOS LOGIC;74LCX245,BUFFERS,TSSOP,20P	
CD45	2203-002793	C-CERAMIC,CHIP;1000nF,+80-20%,25V,Y5V,TP		ICF05	0801-002143	IC-CMOS LOGIC;TC7S32F(T5L),OR GATE,SOT-2	
CD46	2203-005061	C-CERAMIC,CHIP;100nF,+80-20%,16V,Y5V,TP,		ICF06	1002-001143	IC-A/D CONVERTER;TLV1548IDB,10BIT,SOP,20	
CF01	2203-005061	C-CERAMIC,CHIP;100nF,+80-20%,16V,Y5V,TP,		ICF07	0801-002001	IC-CMOS LOGIC;TC7W74FU,D FLIP-FLOP,SSOP,	

Loc. No	Part No	Desc & Spec	Remark	Loc. No	Part No	Desc & Spec	Remark
ICF08	1203-001645	IC-VOLTAGE REGULATOR;XC62FP3302PR,SOT-89		RD02	2007-007400	R-CHIP;2.2KOHM,0.5%,1/16W,DA,TP,1608	
ICF09	0406-001084	DIODE-TVS;SMF05,6/-V,200W,-		RD03	2007-001644	R-CHIP;10Kohm,0.5%,1/16W,DA,TP,1608	
ICF10	0406-001084	DIODE-TVS;SMF05,6/-V,200W,-		RD04	2007-000148	R-CHIP;10Kohm,5%,1/16W,DA,TP,1005	
ICF11	0801-002429	IC-CMOS LOGIC;TC7W125U,BUS BUFFER		RD05	2007-007390	R-CHIP;3.3KOHM,0.5%,1/16W,DA,TP,1608	
ICF12	0406-001084	DIODE-TVS;SMF05,6/-V,200W,-		RD06	2007-001644	R-CHIP;10Kohm,0.5%,1/16W,DA,TP,1608	
ICF13	1203-001886	IC-VOL. DETECTOR;-,SOT-23,3P,73MIL,PLAST		RD07	2007-000148	R-CHIP;10Kohm,5%,1/16W,DA,TP,1005	
JF01	AD37-00002A	JACK-PHON;-;03-233A3-35BKA,-,TP,-		RD08	2007-000982	R-CHIP;5.6Kohm,5%,1/16W,DA,TP,1005	
LD01	2703-000408	INDUCTOR-SMD;3.3uH,20%,3.2x2.5x2.2mm		RD09	2007-001644	R-CHIP;10Kohm,0.5%,1/16W,DA,TP,1608	
LD02	2703-001865	INDUCTOR-SMD;33UH,20%,6X6X2.8MM		RD10	2007-000157	R-CHIP;47Kohm,5%,1/16W,DA,TP,1005	
LD05	2703-000408	INDUCTOR-SMD;3.3uH,20%,3.2x2.5x2.2mm		RD11	2007-000147	R-CHIP;8.2Kohm,5%,1/16W,DA,TP,1005	
LD06	2703-001571	INDUCTOR-SMD;10uH,10%,3.2x2.5x2.2mm		RD12	2007-001694	R-CHIP;12Kohm,0.5%,1/16W,DA,TP,1608	
LD07	2703-000364	INDUCTOR-SMD;100uH,5%,2.5x2x1.8mm		RD13	2007-000153	R-CHIP;22Kohm,5%,1/16W,DA,TP,1005	
LD08	2703-000364	INDUCTOR-SMD;100uH,5%,2.5x2x1.8mm		RD14	2007-001694	R-CHIP;12Kohm,0.5%,1/16W,DA,TP,1608	
LD09	2703-000396	INDUCTOR-SMD;10uH,10%,2.5x2x1.8mm		RD15	2007-007203	R-CHIP;5.6Kohm,0.5%,1/16W,DA,TP,1608	
LD10	2703-001866	INDUCTOR-SMD;100UH,20%,6X6X2.8MM		RD16	2007-000140	R-CHIP;1Kohm,5%,1/16W,DA,TP,1005	
LD12	2703-001571	INDUCTOR-SMD;10uH,10%,3.2x2.5x2.2mm		RD17	2007-000157	R-CHIP;47Kohm,5%,1/16W,DA,TP,1005	
LD13	2703-000408	INDUCTOR-SMD;3.3uH,20%,3.2x2.5x2.2mm		RD18	2007-000153	R-CHIP;22Kohm,5%,1/16W,DA,TP,1005	
LD14	2703-001865	INDUCTOR-SMD;33UH,20%,6X6X2.8MM		RD19	2007-000242	R-CHIP;1.5Kohm,5%,1/16W,DA,TP,1005	
LD15	2703-001866	INDUCTOR-SMD;100UH,20%,6X6X2.8MM		RD21	2007-000081	R-CHIP;2.7Kohm,5%,1/16W,DA,TP,1608	
LD16	2703-000396	INDUCTOR-SMD;10uH,10%,2.5x2x1.8mm		RD22	2007-000148	R-CHIP;10Kohm,5%,1/16W,DA,TP,1005	
LD17	2703-000396	INDUCTOR-SMD;10uH,10%,2.5x2x1.8mm		RD23	2007-000090	R-CHIP;10Kohm,5%,1/16W,DA,TP,1608	
LF01	2703-000396	INDUCTOR-SMD;10uH,10%,2.5x2x1.8mm		RD24	2007-000076	R-CHIP;330ohm,5%,1/16W,DA,TP,1608	
LF02	2703-000396	INDUCTOR-SMD;10uH,10%,2.5x2x1.8mm		RD25	2007-001644	R-CHIP;10Kohm,0.5%,1/16W,DA,TP,1608	
LF03	2703-000396	INDUCTOR-SMD;10uH,10%,2.5x2x1.8mm		RD27	2007-000148	R-CHIP;10Kohm,5%,1/16W,DA,TP,1005	
QD01	0501-000546	TR-SMALL SIGNAL;KTA1298,PNP,200mW,SOT-23		RD28	2007-000982	R-CHIP;5.6Kohm,5%,1/16W,DA,TP,1005	
QD02	0504-001032	TR-DIGITAL;KRC404,NPN,100MW,47K/47K,SOT-		RD29	2007-000982	R-CHIP;5.6Kohm,5%,1/16W,DA,TP,1005	
QD06	0501-000681	TR-SMALL SIGNAL;FP101,PNP,1.3W,PCP4,TP,1		RD30	2007-000982	R-CHIP;5.6Kohm,5%,1/16W,DA,TP,1005	
QD08	0501-000172	TR-SMALL SIGNAL;2SB1121,PNP,500mW,PCP,TP		RD33	2007-000138	R-CHIP;100ohm,5%,1/16W,DA,TP,1005	
QD09	0501-000681	TR-SMALL SIGNAL;FP101,PNP,1.3W,PCP4,TP,1		RD34	2007-000172	R-CHIP;10ohm,5%,1/16W,DA,TP,1005	
QD12	0502-001054	TR-POWER;KSD1621,NPN,500mW,SOT-89,TP,14		RD37	2007-000172	R-CHIP;10ohm,5%,1/16W,DA,TP,1005	
QD13	0501-002171	TR-SMALL SIGNAL;KTA2014,PNP,100mW,SOT-32		RD42	2007-000138	R-CHIP;100ohm,5%,1/16W,DA,TP,1005	
QD14	0502-001054	TR-POWER;KSD1621,NPN,500mW,SOT-89,TP,14		RD43	2007-000172	R-CHIP;10ohm,5%,1/16W,DA,TP,1005	
QD15	0501-002171	TR-SMALL SIGNAL;KTA2014,PNP,100mW,SOT-32		RD44	2007-000172	R-CHIP;10ohm,5%,1/16W,DA,TP,1005	
QD17	0501-000546	TR-SMALL SIGNAL;KTA1298,PNP,200mW,SOT-23		RD45	2007-000153	R-CHIP;22Kohm,5%,1/16W,DA,TP,1005	
QD18	0504-001032	TR-DIGITAL;KRC404,NPN,100MW,47K/47K,SOT-		RD46	2007-001206	R-CHIP;82Kohm,1%,1/16W,DA,TP,1608	
QF01	0504-001035	TR-DIGITAL;KRA301,PNP,100mW,4.7K/4.7Kohm		RD47	2007-000982	R-CHIP;5.6Kohm,5%,1/16W,DA,TP,1005	
QF02	0504-001036	TR-DIGITAL;KRA304,PNP,100mW,47K/47Kohm,S		RD48	2007-000153	R-CHIP;22Kohm,5%,1/16W,DA,TP,1005	
QF03	0501-002171	TR-SMALL SIGNAL;KTA2014,PNP,100mW,SOT-32		RD49	2007-000242	R-CHIP;1.5Kohm,5%,1/16W,DA,TP,1005	
QF06	0504-001035	TR-DIGITAL;KRA301,PNP,100mW,4.7K/4.7Kohm		RD50	2007-000153	R-CHIP;22Kohm,5%,1/16W,DA,TP,1005	
RD01	2007-000775	R-CHIP;33Kohm,5%,1/16W,DA,TP,1005		RD51	2007-000153	R-CHIP;22Kohm,5%,1/16W,DA,TP,1005	

Loc. No	Part No	Desc & Spec	Remark	Loc. No	Part No	Desc & Spec	Remark
RD60	2007-001199	R-CHIP;820ohm,1%,1/16W,DA,TP,1608		RF38	2007-000171	R-CHIP;0ohm,5%,1/16W,DA,TP,1005	
RD61	2007-000566	R-CHIP;220Kohm,5%,1/16W,DA,TP,1005		RF39	2007-000162	R-CHIP;100Kohm,5%,1/16W,DA,TP,1005	
RD62	2007-000566	R-CHIP;220Kohm,5%,1/16W,DA,TP,1005		RF42	2007-000143	R-CHIP;4.7Kohm,5%,1/16W,DA,TP,1005	
RD63	2007-000566	R-CHIP;220Kohm,5%,1/16W,DA,TP,1005		SWF01	3408-001053	SWITCH-SLIDE;5VDC,0.2A,1,SELF ,ESD165226	
RF01	2007-000162	R-CHIP;100Kohm,5%,1/16W,DA,TP,1005		SWF02	3408-001052	SWITCH-SLIDE;5V,0.3A,2P;<OFF-ON>;-	
RF02	2007-000162	R-CHIP;100Kohm,5%,1/16W,DA,TP,1005		SWF03	3404-001034	SWITCH-TACT;12V,50mA,160gf,4x7.4x1.8mm,S	
RF03	2007-000162	R-CHIP;100Kohm,5%,1/16W,DA,TP,1005		SWF04	3404-001034	SWITCH-TACT;12V,50mA,160gf,4x7.4x1.8mm,S	
RF04	2007-000162	R-CHIP;100Kohm,5%,1/16W,DA,TP,1005		SWF05	3404-001034	SWITCH-TACT;12V,50mA,160gf,4x7.4x1.8mm,S	
RF05	2007-000148	R-CHIP;10Kohm,5%,1/16W,DA,TP,1005		SWF06	3404-001034	SWITCH-TACT;12V,50mA,160gf,4x7.4x1.8mm,S	
RF06	2007-000162	R-CHIP;100Kohm,5%,1/16W,DA,TP,1005		SWF07	3404-001034	SWITCH-TACT;12V,50mA,160gf,4x7.4x1.8mm,S	
RF07	2007-000148	R-CHIP;10Kohm,5%,1/16W,DA,TP,1005		SWF08	3404-001034	SWITCH-TACT;12V,50mA,160gf,4x7.4x1.8mm,S	
RF08	2007-000148	R-CHIP;10Kohm,5%,1/16W,DA,TP,1005		SWF09	3404-001034	SWITCH-TACT;12V,50mA,160gf,4x7.4x1.8mm,S	
RF09	2007-000173	R-CHIP;22ohm,5%,1/16W,DA,TP,1005		SWF10	3404-001034	SWITCH-TACT;12V,50mA,160gf,4x7.4x1.8mm,S	
RF10	2007-000173	R-CHIP;22ohm,5%,1/16W,DA,TP,1005		XF01	2801-003874	CRYSTAL-SMD;6MHz,50ppm,28-ABL,12pF,200ch	
RF11	2007-000932	R-CHIP;470ohm,5%,1/16W,DA,TP,1005		ASSY ACCESSORY SVM-P32(YVP-P64),-			
RF12	2007-000067	R-CHIP;15Kohm,1%,1/16W,DA,TP,1608		1	AD30-00003A	PHONE-EAR; SHAMPAGNE GOLD,HS-S7BE,16 OHM,560mm,14.8	
RF13	2007-000067	R-CHIP;15Kohm,1%,1/16W,DA,TP,1608			AD30-00002A	ASSY-PHONE REMOTE;-;RM-V21K,-,-,-	
RF14	2007-000614	R-CHIP;24Kohm,1%,1/16W,DA,TP,1608		2	AD44-00032A	ADAPTOR;110/220VAC,50/60HZ,5.0VDC,1.0A,BSI,AA-P1P/SEUK	
RF15	2007-000772	R-CHIP;33Kohm,1%,1/16W,DA,TP,1608		3	1109-001167	IC-MEMORY CARD; 9D1208,64Mx8Bit,CARD,22P,145MIL,10uS,3.3V,-, PLASTIC,0to+55C,50uA,CMOS,TR	
RF16	2007-000939	R-CHIP;47Kohm,1%,1/16W,DA,TP,1608		4	AD46-00018A	DISC-PHOTO YEPP EXPLORER;120mm,PHOTO YEPP EXPLORER, CD,YVP-P64/XSH	
RF17	2007-000242	R-CHIP;1.5Kohm,5%,1/16W,DA,TP,1005		5	AD69-00096A	BAG-SOFT CASE;SVM-P32,POLYESTER+NEOPRENE,-,-,-,-	
RF18	2007-000060	R-CHIP;100Kohm,1%,1/16W,DA,TP,1608		6	AD68-00179B	MANUAL-USER;YVP-P64,-,-,-,-,-,210,148,-,-,-,ENGLISH	
RF19	2007-000566	R-CHIP;220Kohm,5%,1/16W,DA,TP,1005		7	AD43-00014A	BATTERY-PACK ;SB-L100R/DOM,3.6V,1000MA,SB-L100R/DOM	
RF20	2007-000162	R-CHIP;100Kohm,5%,1/16W,DA,TP,1005		 			
RF21	2007-000162	R-CHIP;100Kohm,5%,1/16W,DA,TP,1005		 			
RF22	2007-000162	R-CHIP;100Kohm,5%,1/16W,DA,TP,1005		 			
RF23	2007-000170	R-CHIP;1Mohm,5%,1/16W,DA,TP,1005					
RF24	2007-000775	R-CHIP;33Kohm,5%,1/16W,DA,TP,1005					
RF25	2007-000162	R-CHIP;100Kohm,5%,1/16W,DA,TP,1005					
RF26	2007-000162	R-CHIP;100Kohm,5%,1/16W,DA,TP,1005					
RF27	2007-000162	R-CHIP;100Kohm,5%,1/16W,DA,TP,1005					
RF28	2007-000162	R-CHIP;100Kohm,5%,1/16W,DA,TP,1005					
RF29	2007-000160	R-CHIP;68Kohm,5%,1/16W,DA,TP,1005					
RF30	2007-000153	R-CHIP;22Kohm,5%,1/16W,DA,TP,1005					
RF31	2007-001206	R-CHIP;82Kohm,1%,1/16W,DA,TP,1608					
RF32	2007-000442	R-CHIP;180Kohm,1%,1/16W,DA,TP,1608					
RF33	2007-000157	R-CHIP;47Kohm,5%,1/16W,DA,TP,1005					
RF34	2007-000162	R-CHIP;100Kohm,5%,1/16W,DA,TP,1005					
RF35	2007-000162	R-CHIP;100Kohm,5%,1/16W,DA,TP,1005					
RF36	2007-000162	R-CHIP;100Kohm,5%,1/16W,DA,TP,1005					

MEMO

6. PCB Diagrams

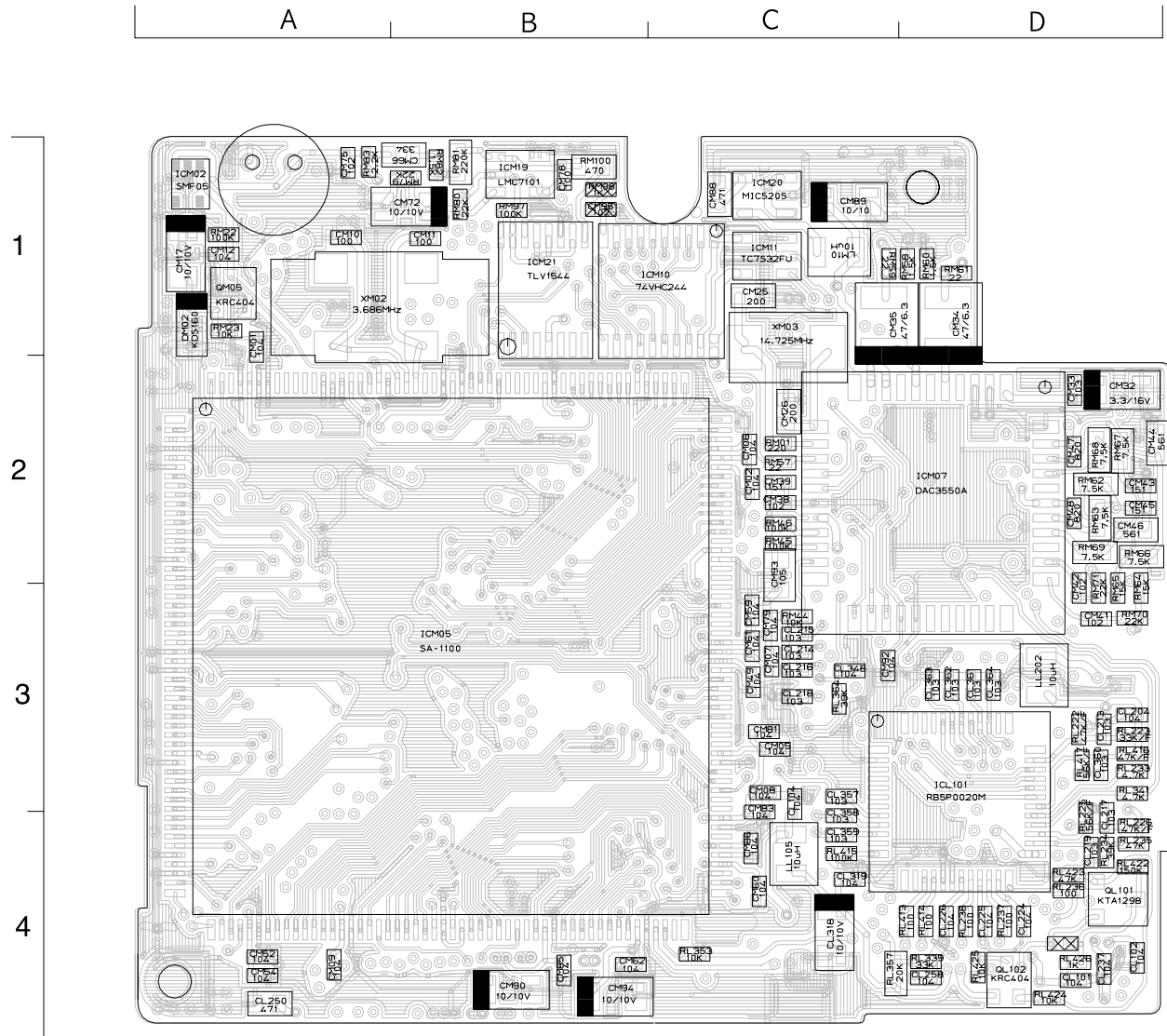
6-1. Main PCB6-2

6-2. DC/DC PCB6-4

6-3. Function PCB6-6

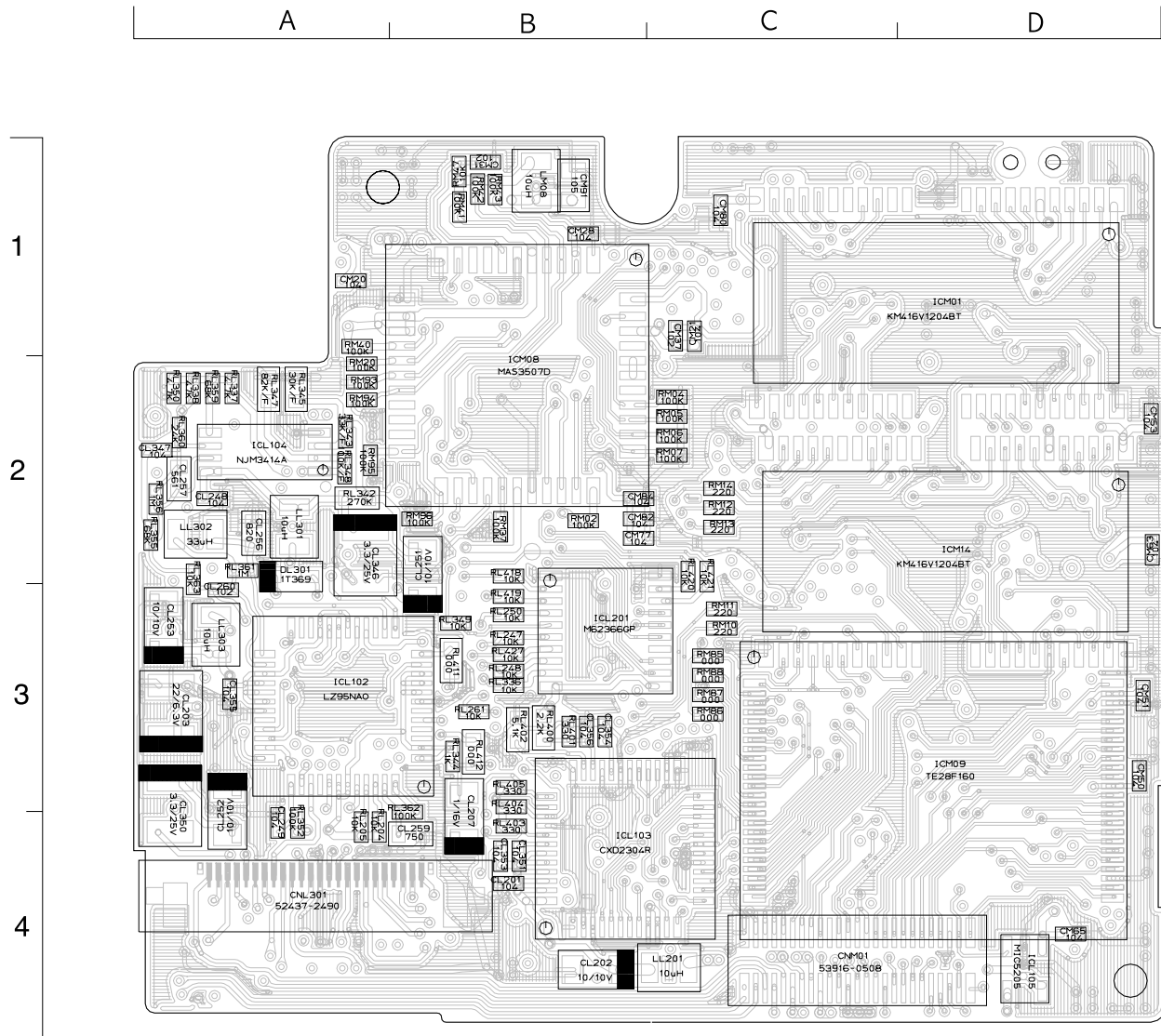
6-1. Main PCB

Conductor Side



LOC No.	X-Y
ICM05	A-3
ICM21	B-1
ICM10	B-1
ICM07	D-2
ICL101	D-3

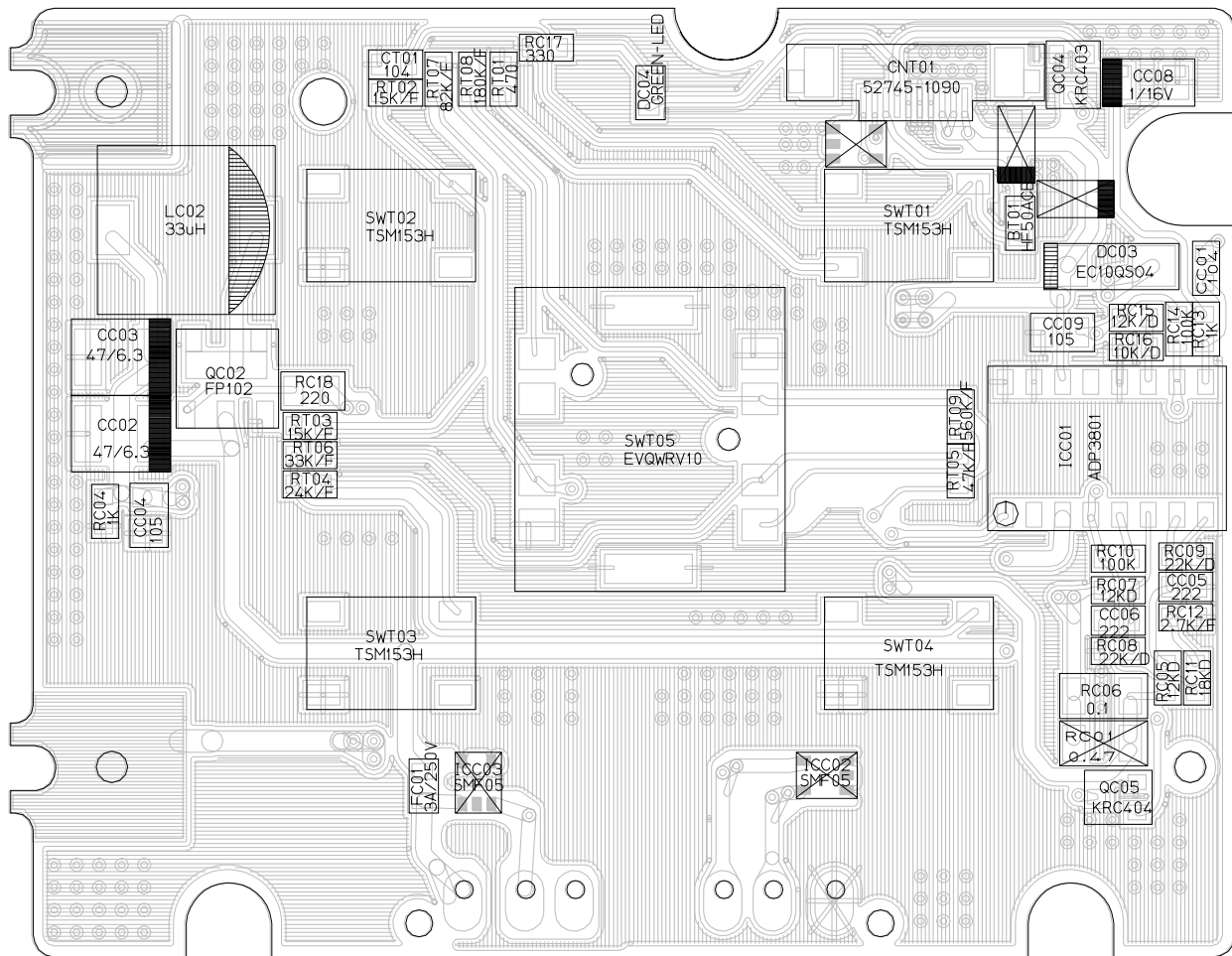
Component Side



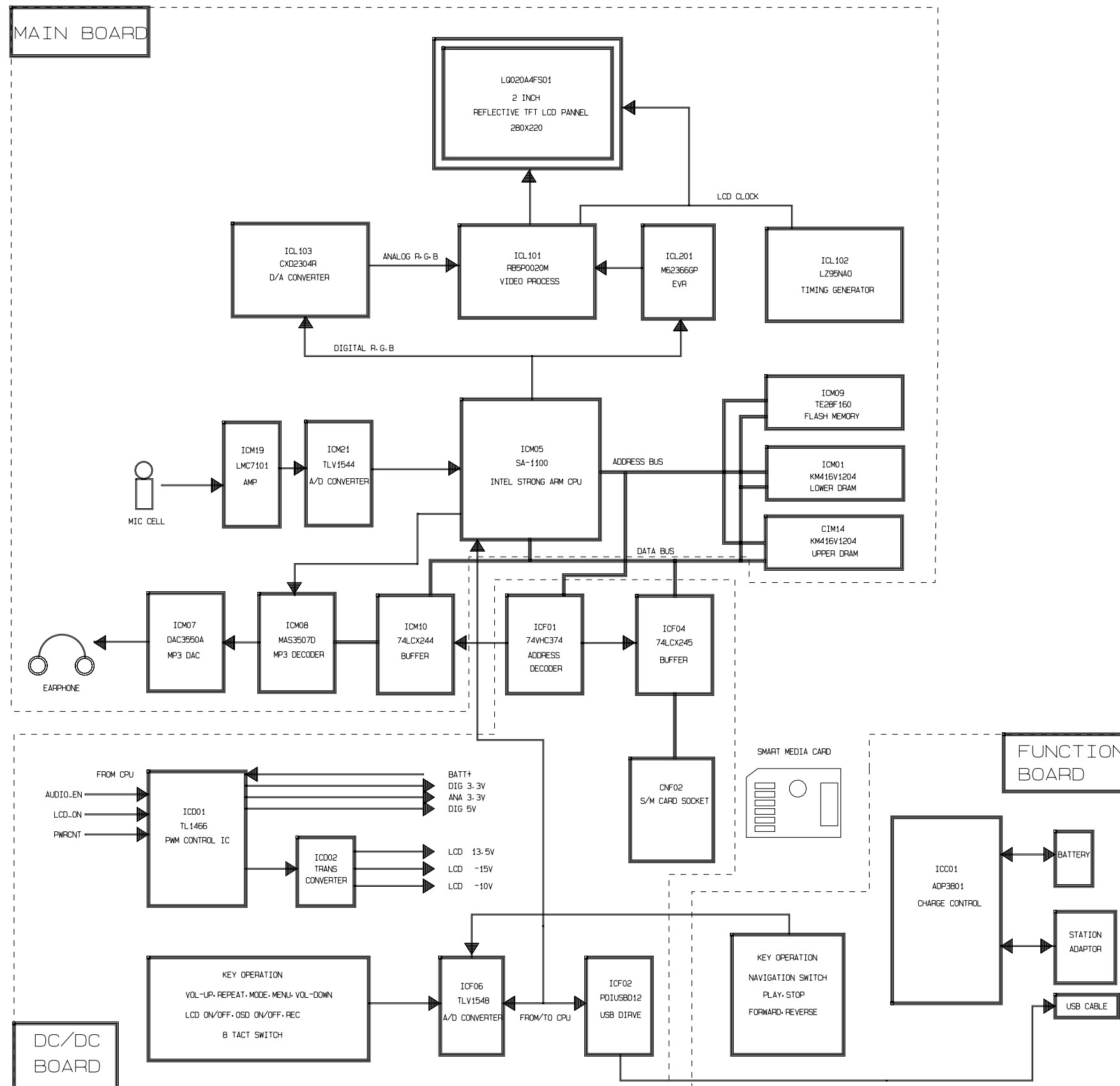
LOC No.	X-Y
ICL102	A-3
ICM08	B-2
ICL201	B-3
ICL103	B-4
ICM01	D-1
ICM14	D-2
ICM09	D-4

6-3. Function PCB

Conductor Side



7. Wiring Diagram



MEMO

8. Schematic Diagrams

8-1. Main Block8-2

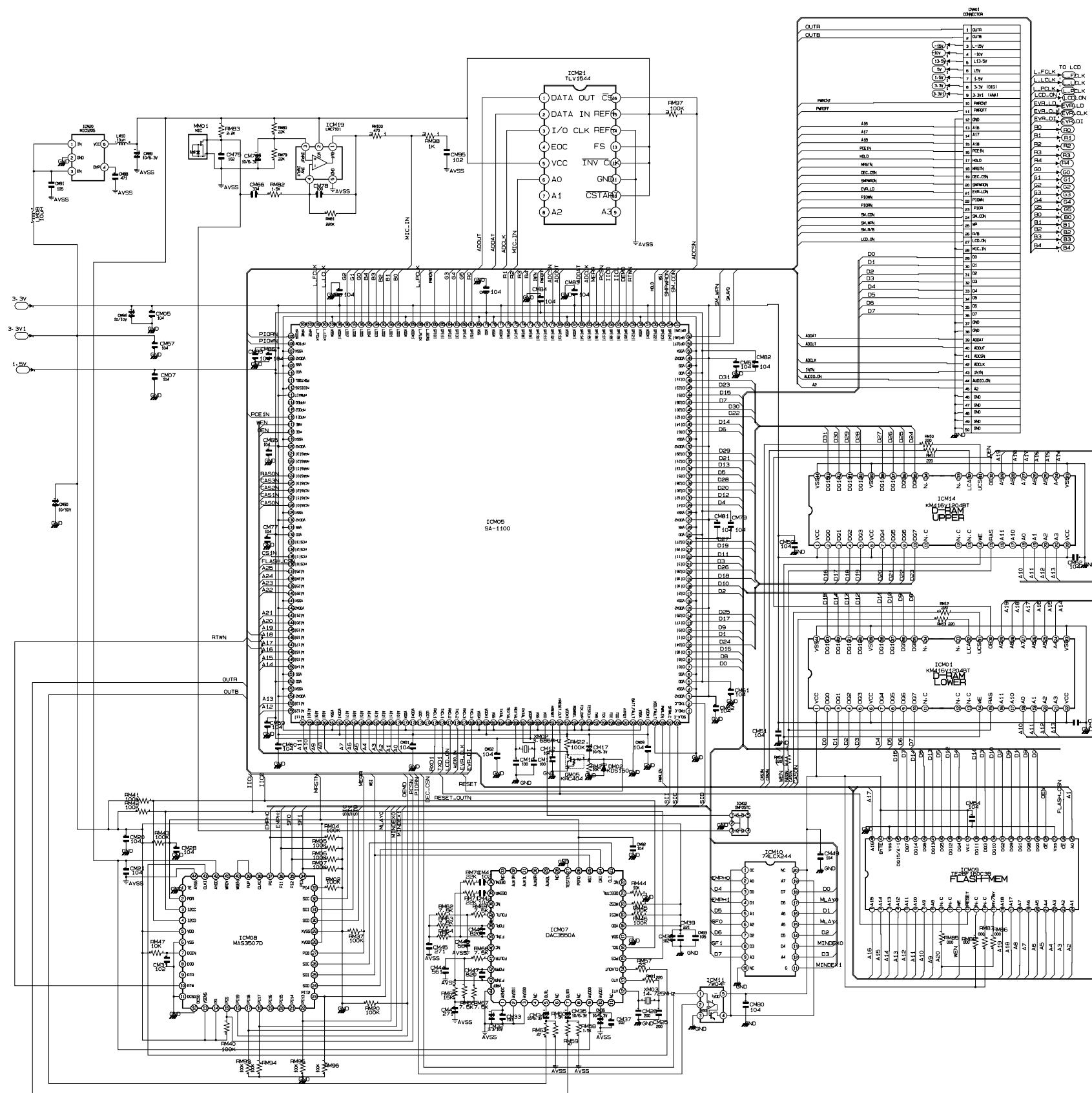
8-2. DC/DC Converter Block8-3

8-3. DC/DC Function Block8-4

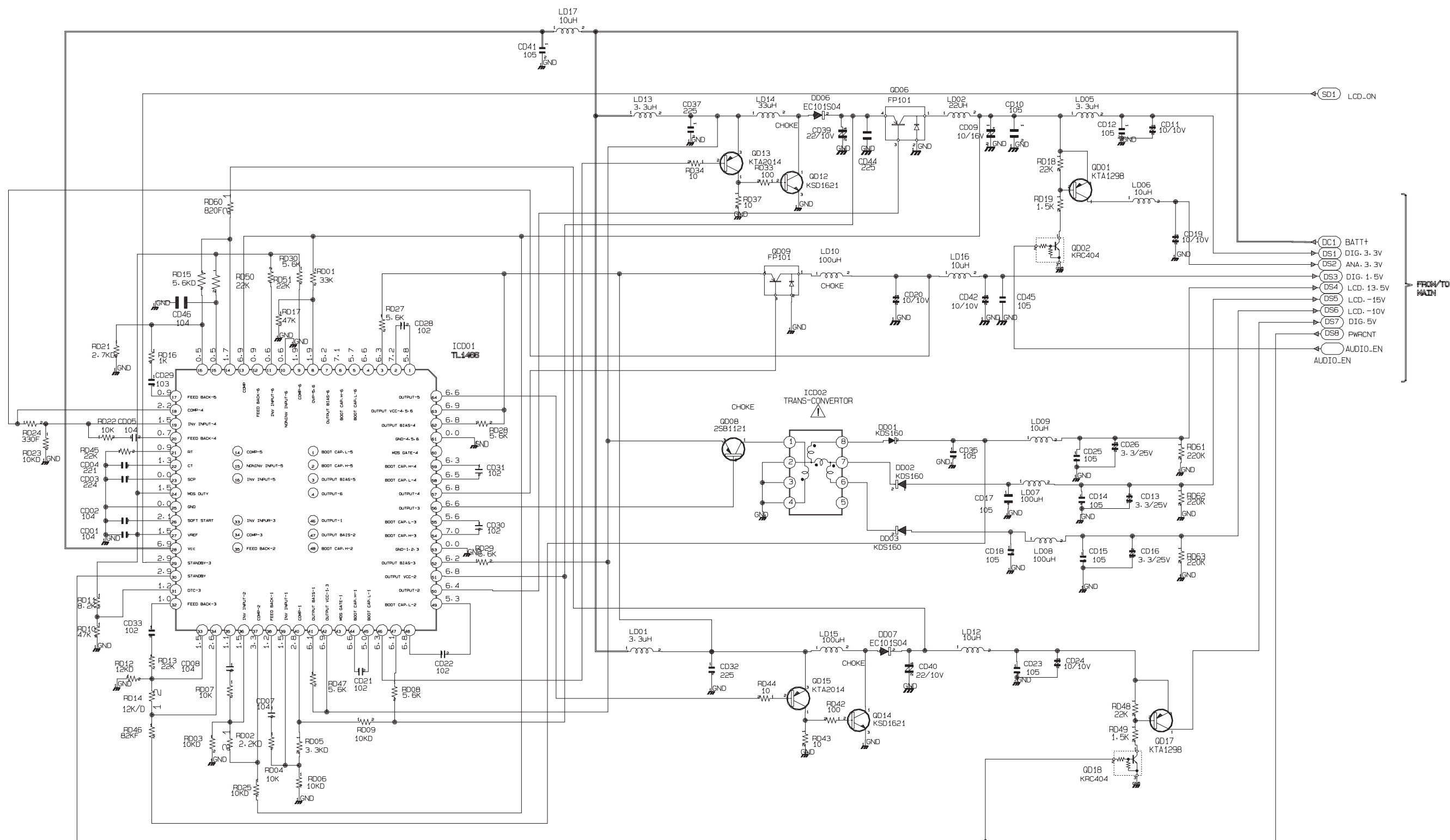
8-4. LCD Block8-5

8-5. Function Block8-6

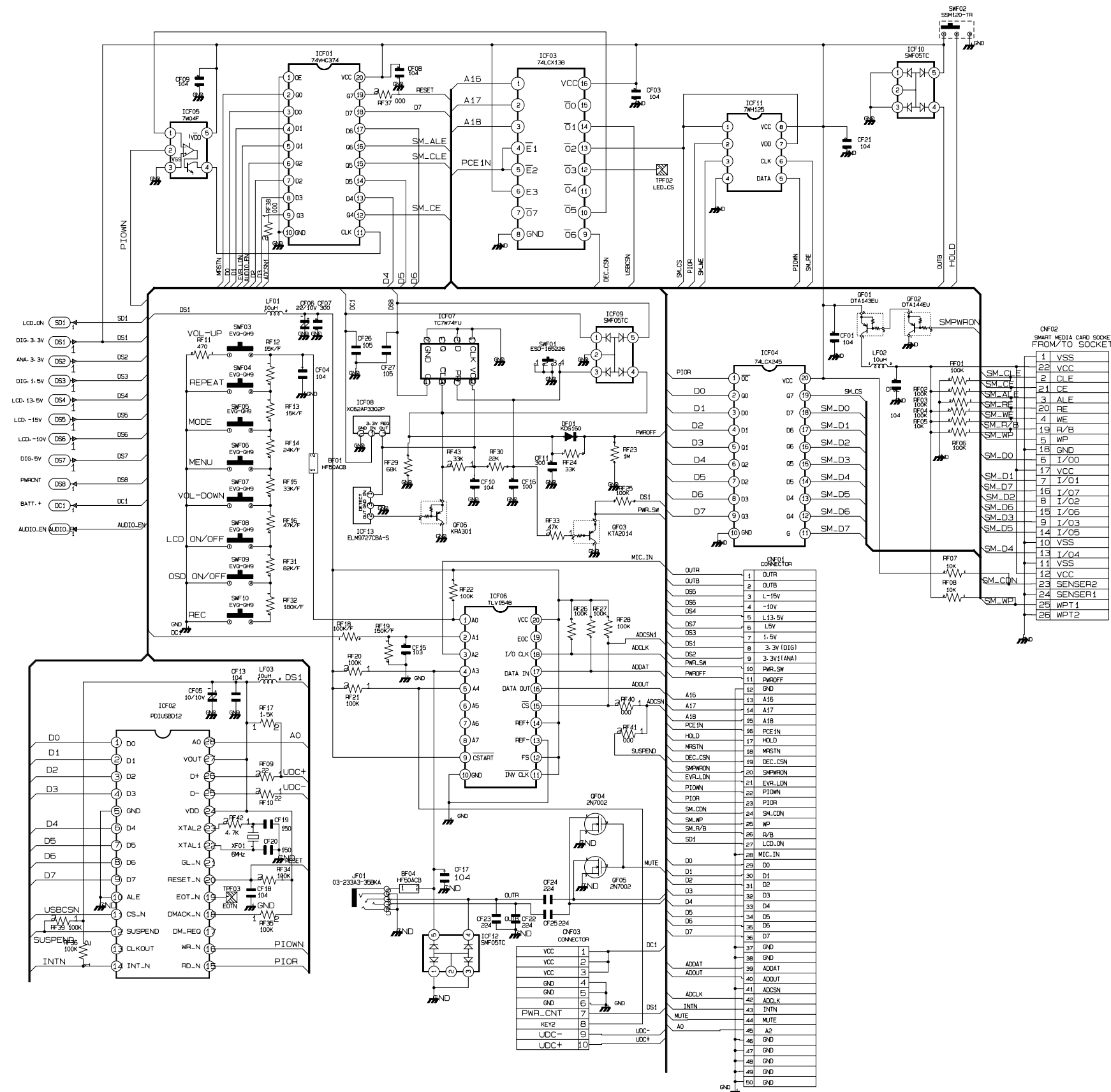
8-1. Main Block



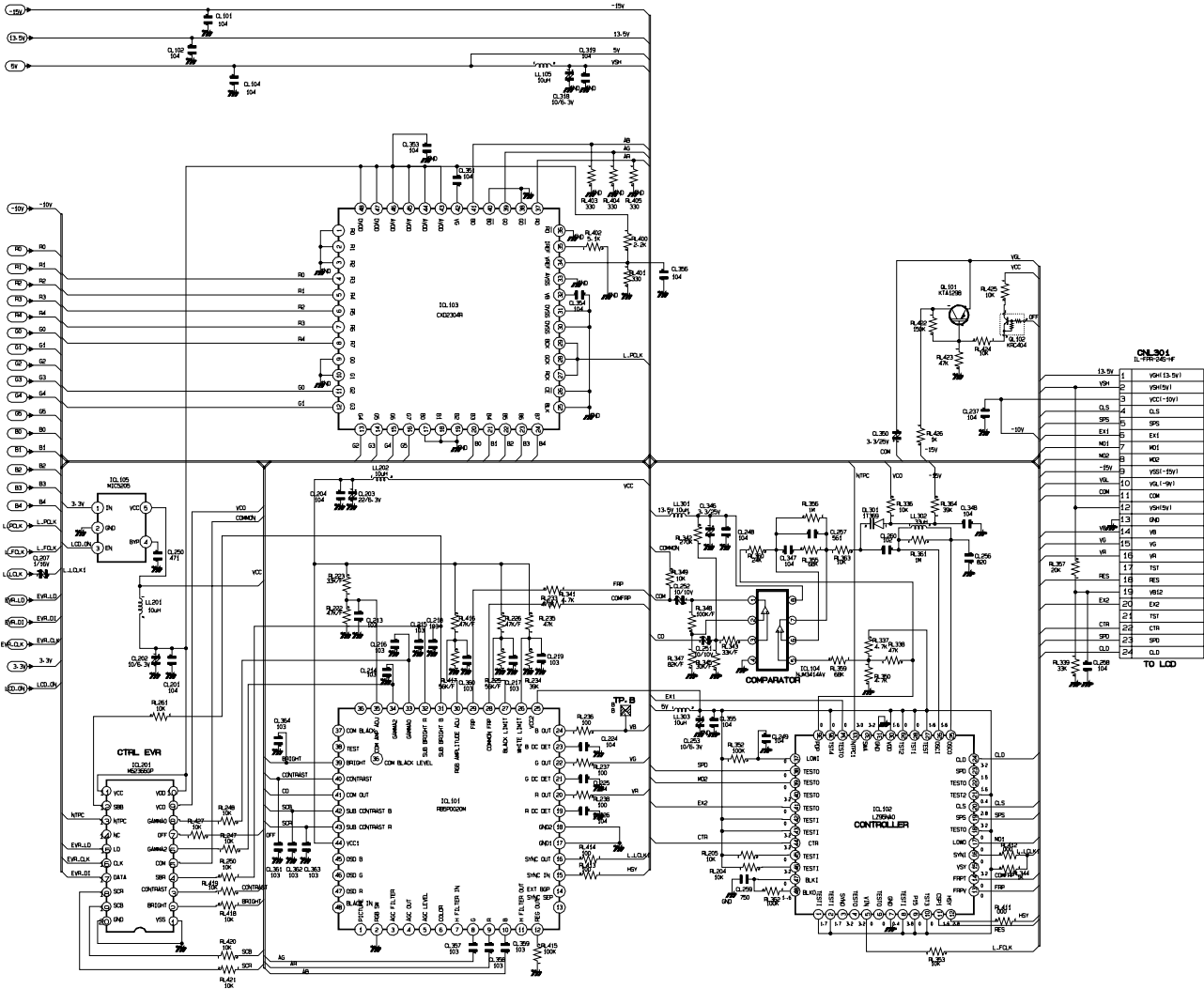
8-2. DC/DC Converter Block



8-3. DC/DC Function Block



8-4. LCD Block



8-5. Function Block

